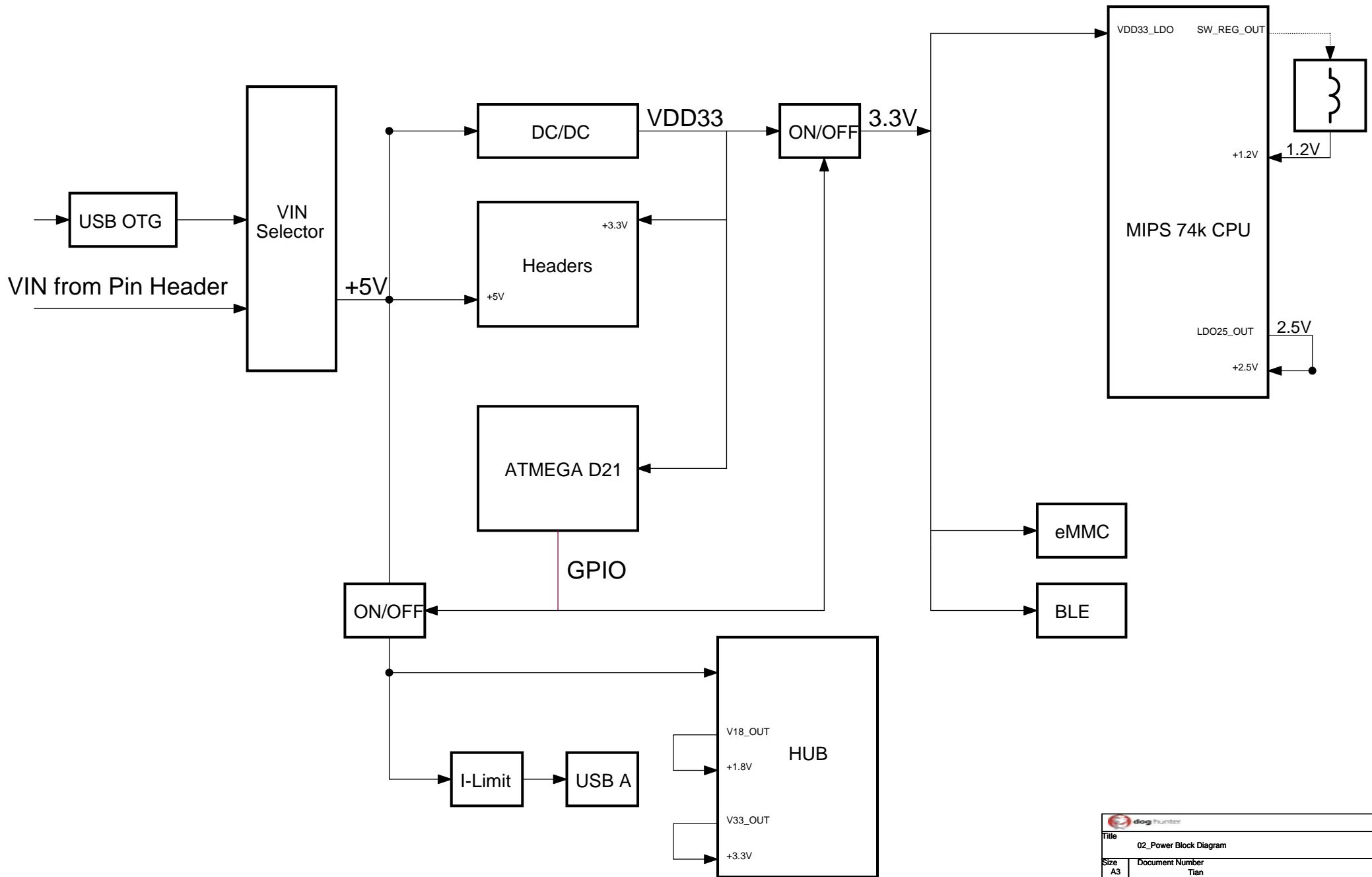
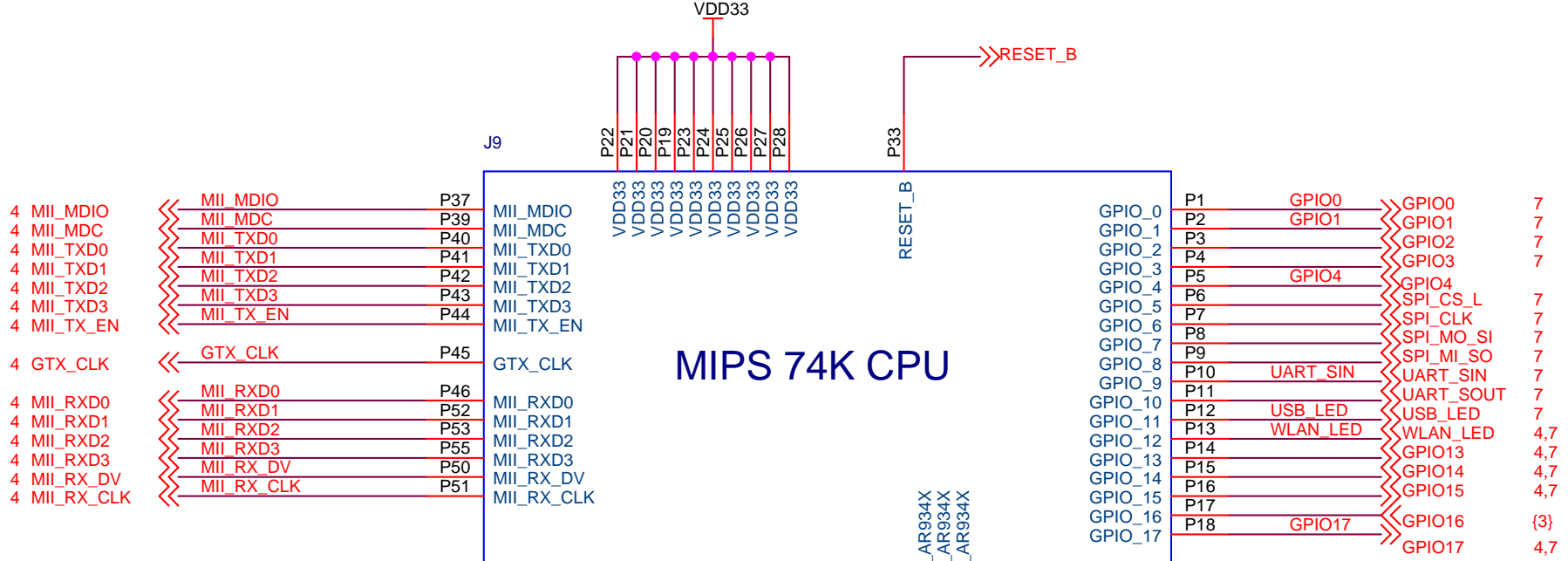


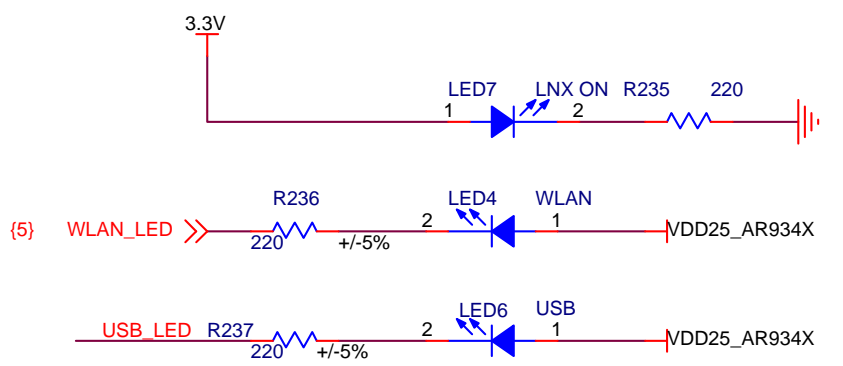
dogghoat Power Block Diagram



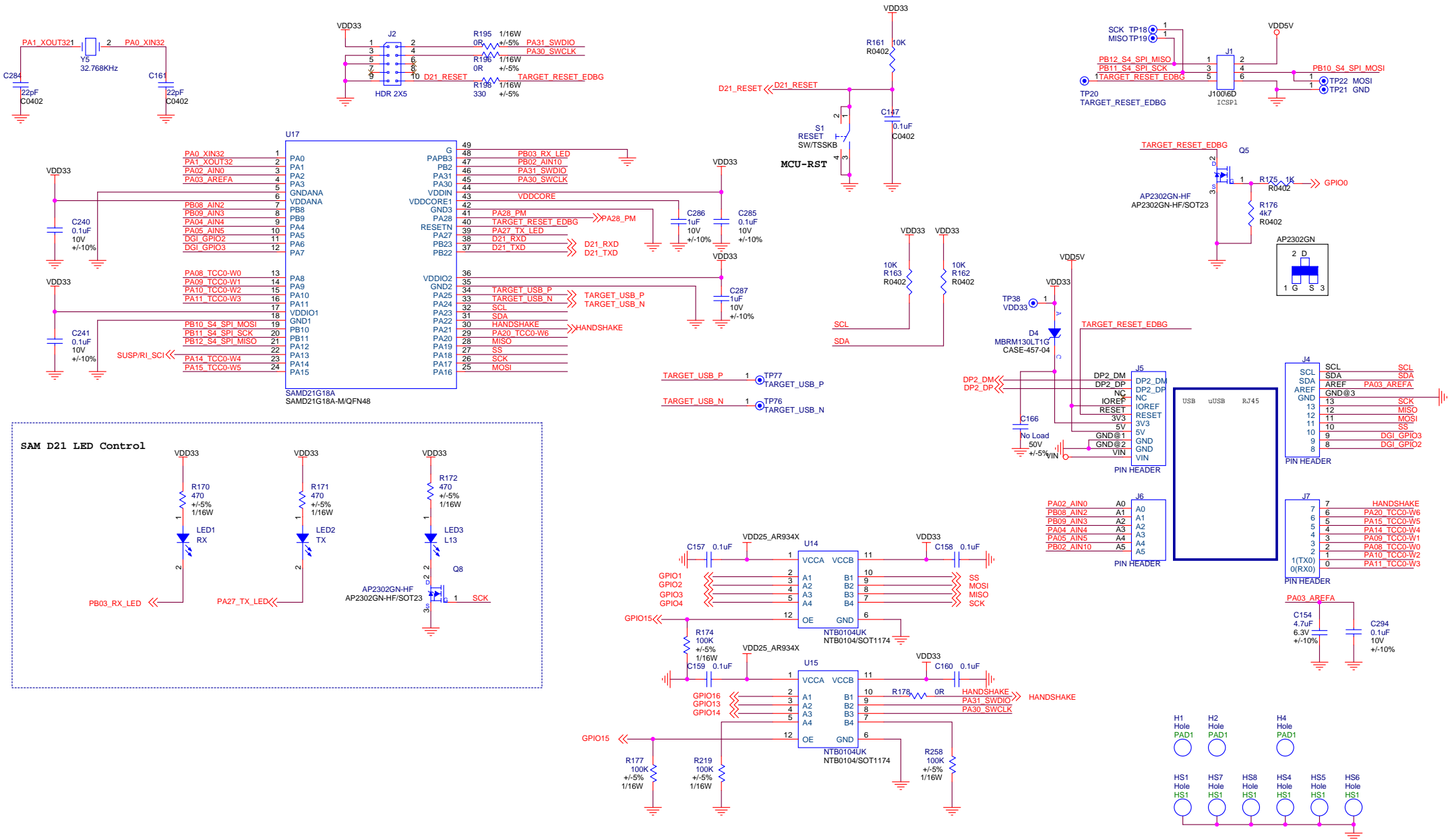


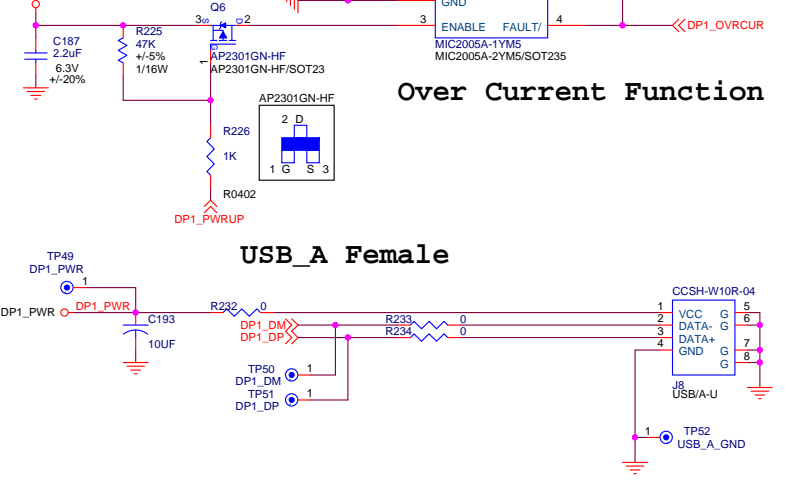
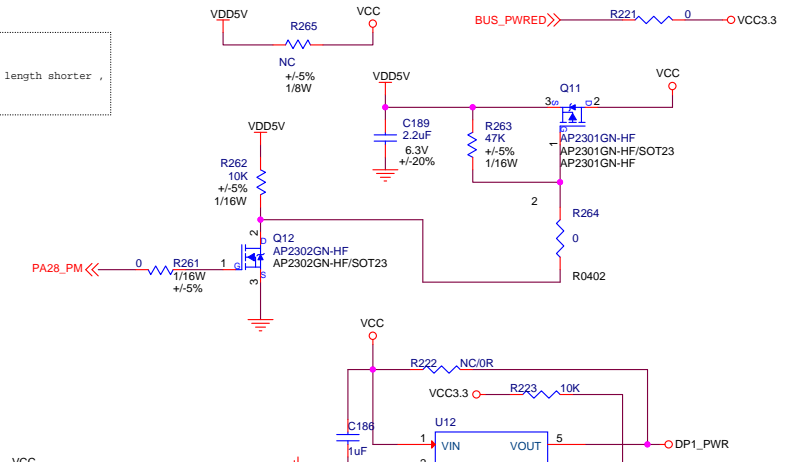
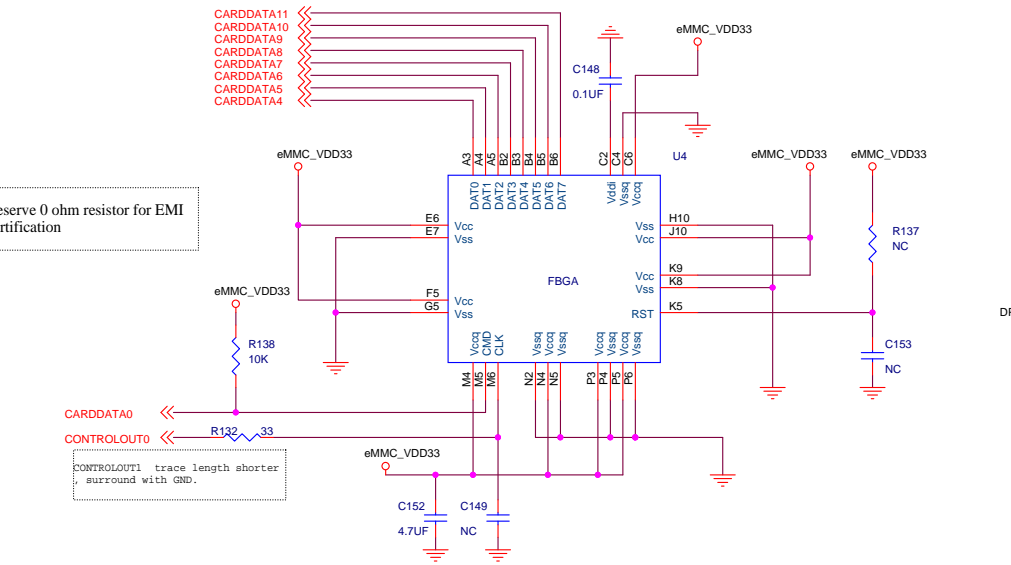
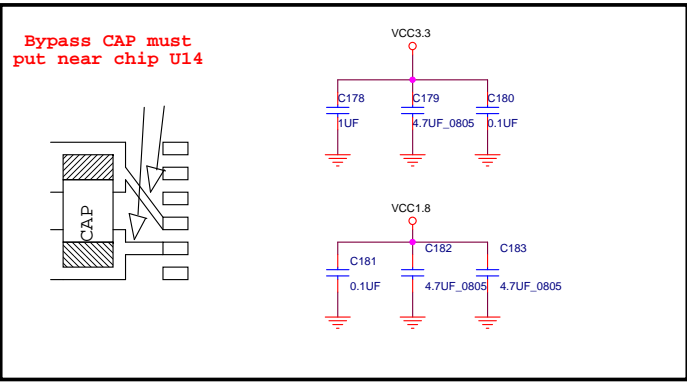
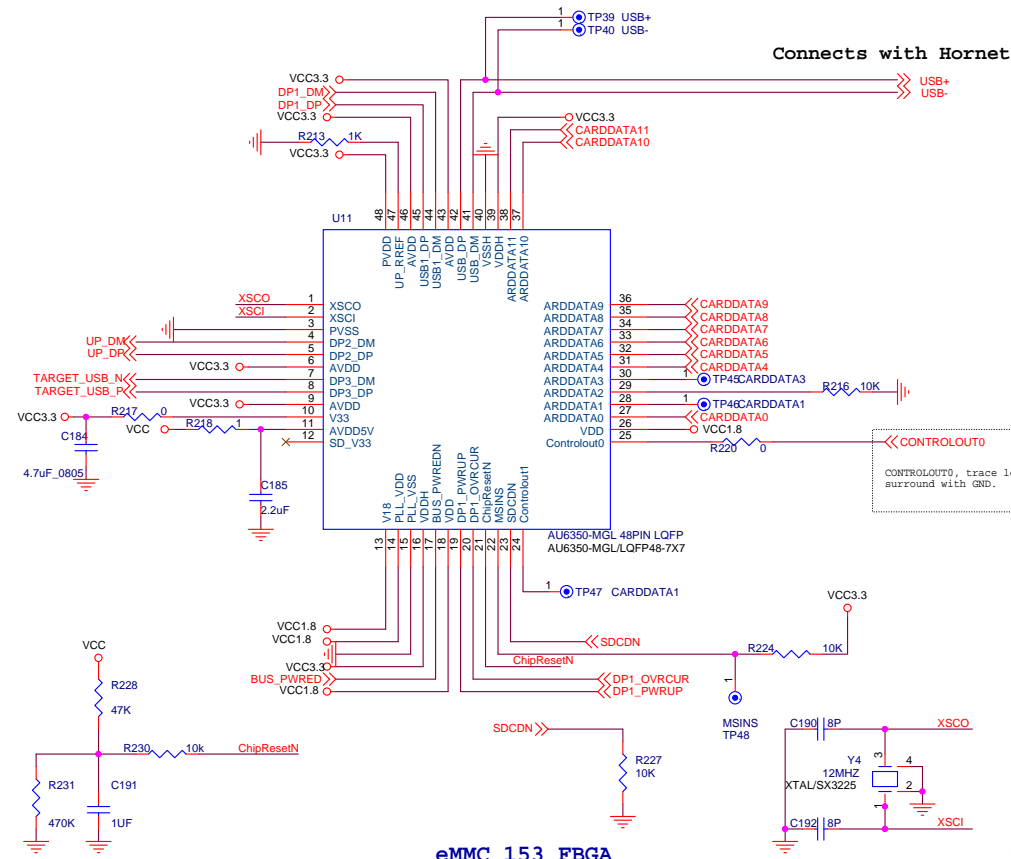
LED Display Circuit

Power LED

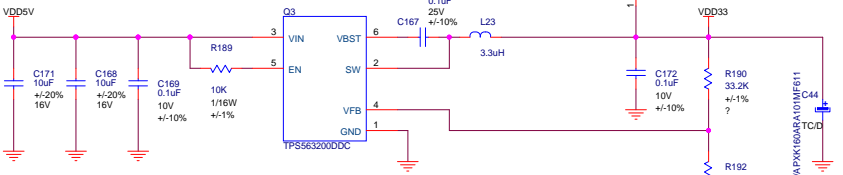
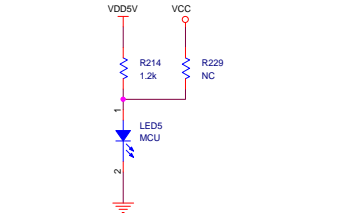
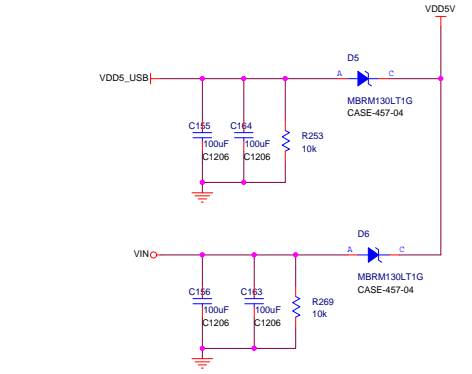
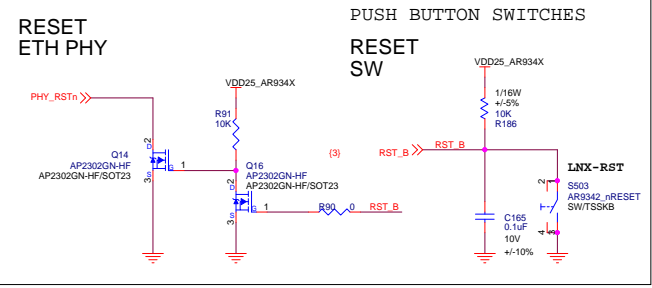
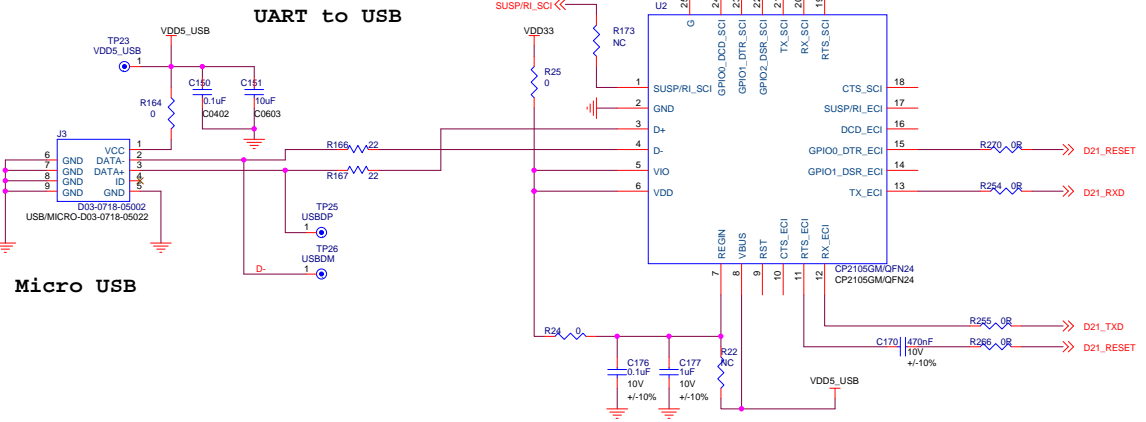
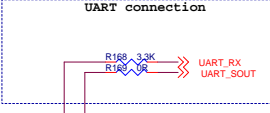
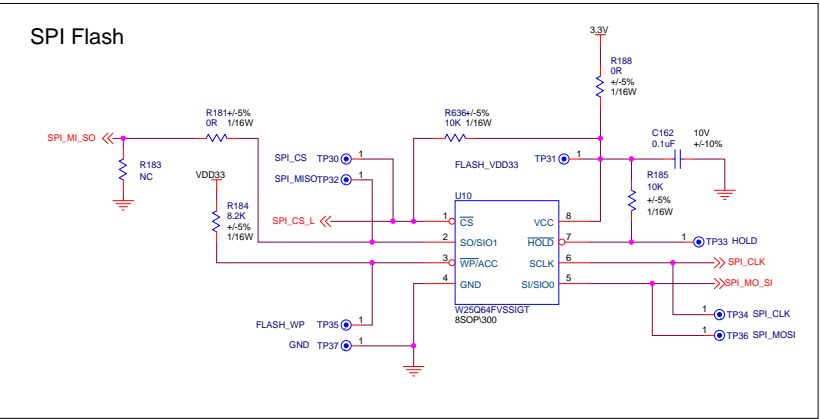
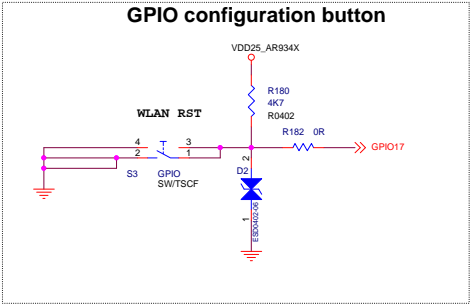


Title		
03_MIPS_76K_CPU		
Size	Document Number	Rev
A	Tian	03
Date:	Tuesday, February 02, 2016	Sheet 1 of 1

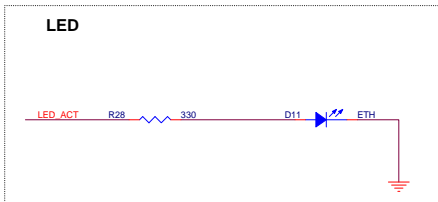
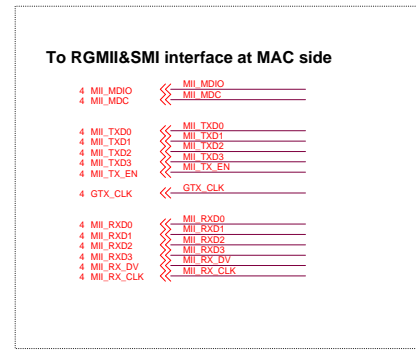
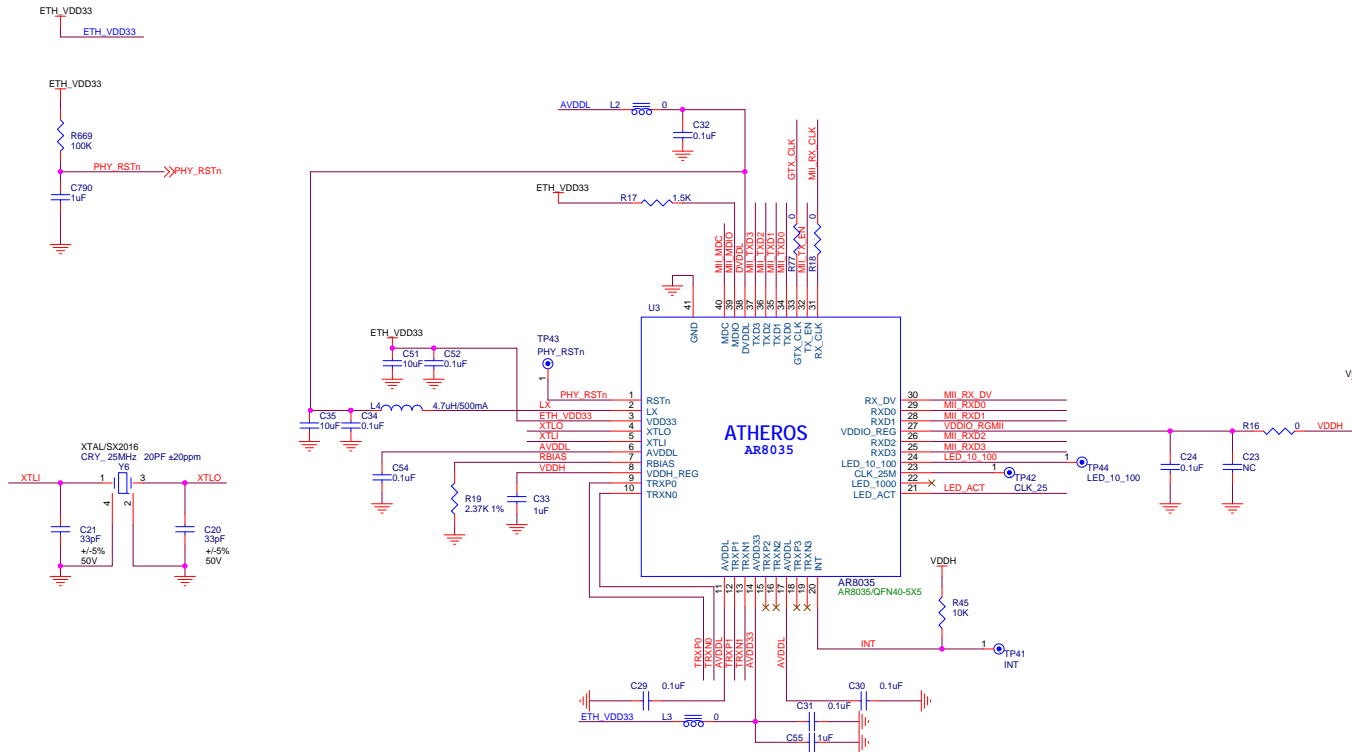




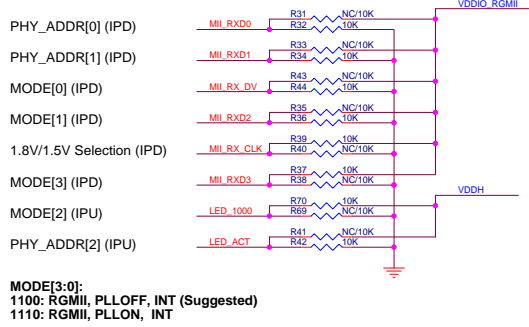
Title		
05_AU6350/eMMC/USB_A Female		
Size	Document Number	Rev
	Tian	03
Date:	Friday, February 19, 2016	Sheet 9 of 16



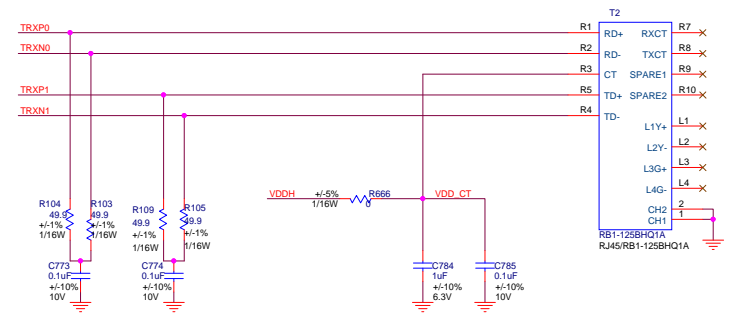
Notes:
 $R_{bot}=R192=10K$, $R_{top}=R190=33.2k$
 $V_{OUT} = 0.765 (1 + R_{top}/R_{bot}) V$
 $V_{out} = 0.765 (1 + 33.2/10) V = 3.3 V$

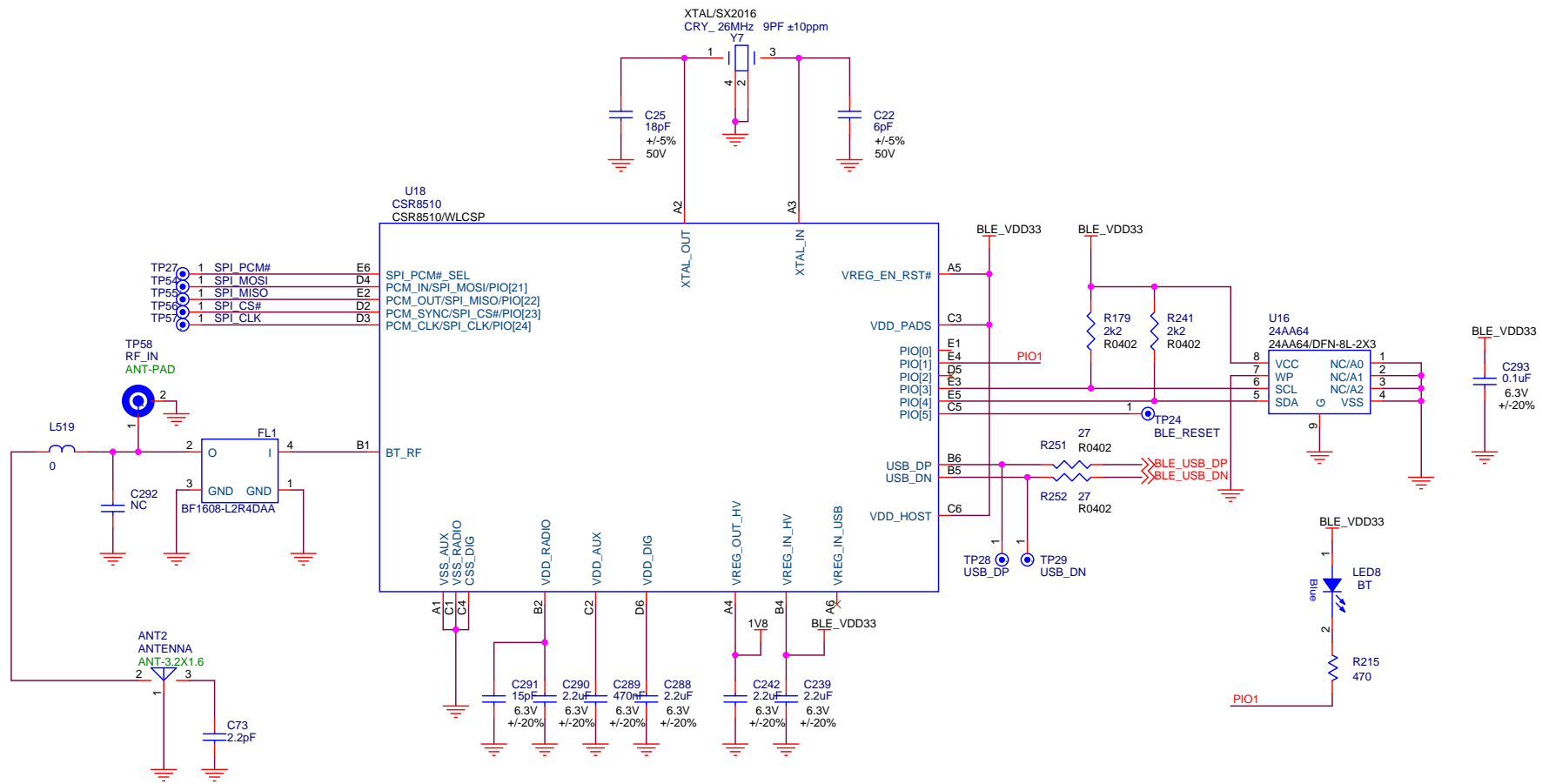


Power-on Strapping Pins

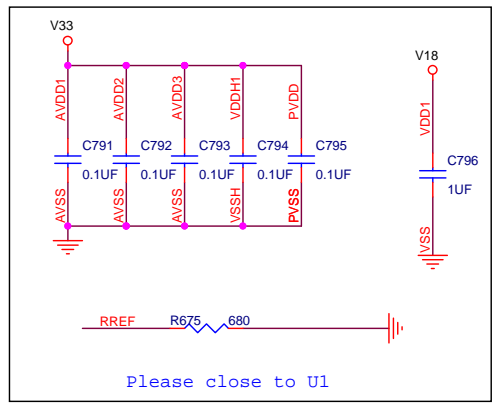
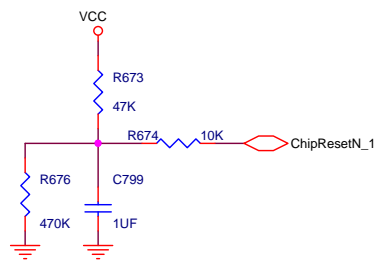
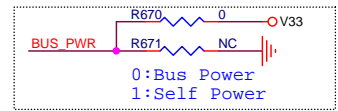
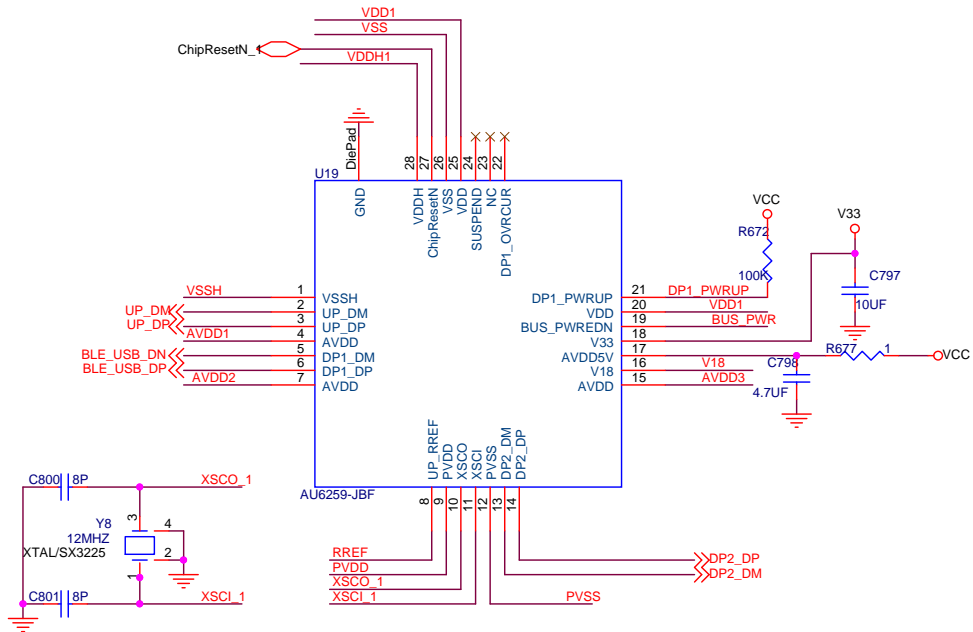


MODE[3:0]:
 1100: RGMII, PLLOFF, INT (Suggested)
 1110: RGMII, PLLON, INT





Title		
08_Bluetooth_CSR8510		
Size	Document Number	Rev
B	Tian	03
Date:	Friday, February 19, 2016	Sheet 15 of 16



Please close to U1

Title		
09_AU6259		
Size	Document Number	Rev
	Tian	03
Date:	Friday, February 19, 2016	Sheet 16 of 16