

CHIPONE

集创北方

ICN2012

(8-Channel Power Switch for LED Display)

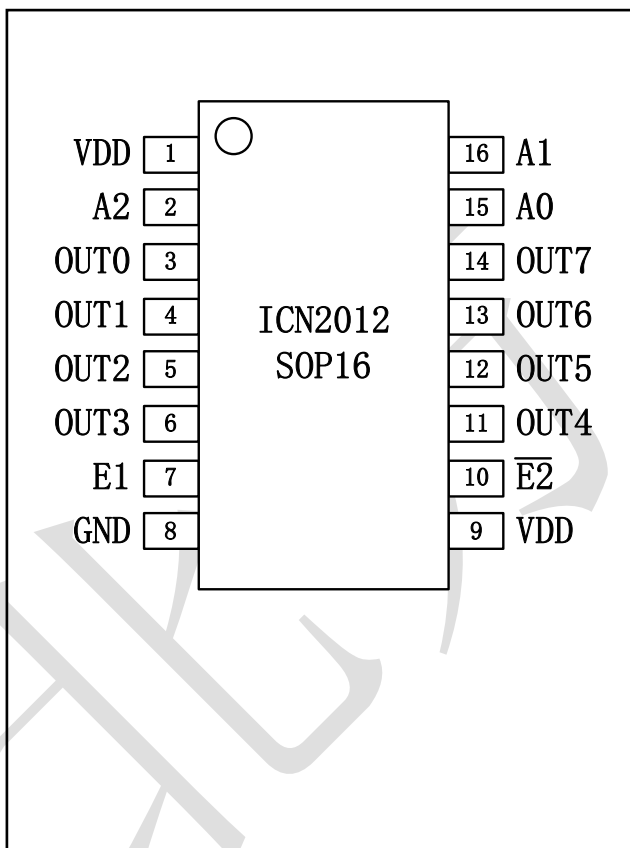
Description

ICN2012 is a 8-channel power switch for LED display. ICN2012 Integrated 74HC138 (3-Line to 8-Line Decoders) and 8 Channel P-Channel Enhancement Mode MOSFET driver.

ICN2012 used for LED display could instead of 1Pcs 74HC138 and 4 Pcs 4953. ICN2012 also integrated Ghosting Reduction, Caterpillar Cancelling and LED Protection circuit.

Features

- ✧ Integrated 74HC138 (3-Line to 8-Line Decoders)
- ✧ 8 Channel P-Channel Enhancement Mode MOSFET driver
- ✧ P-MOSTEF $R_{ds(ON)}$ 100 m Ω , Max output current 2.5A
- ✧ Incorporate Tow Enable Inputs to Simplify Cascading
- ✧ Ghosting Reduction
- ✧ Caterpillar Removal for LED Short
- ✧ LED Protection
- ✧ Max Power Dissipation <650mW @ VDD=5V & Ivdd=2.5A



廣東創北