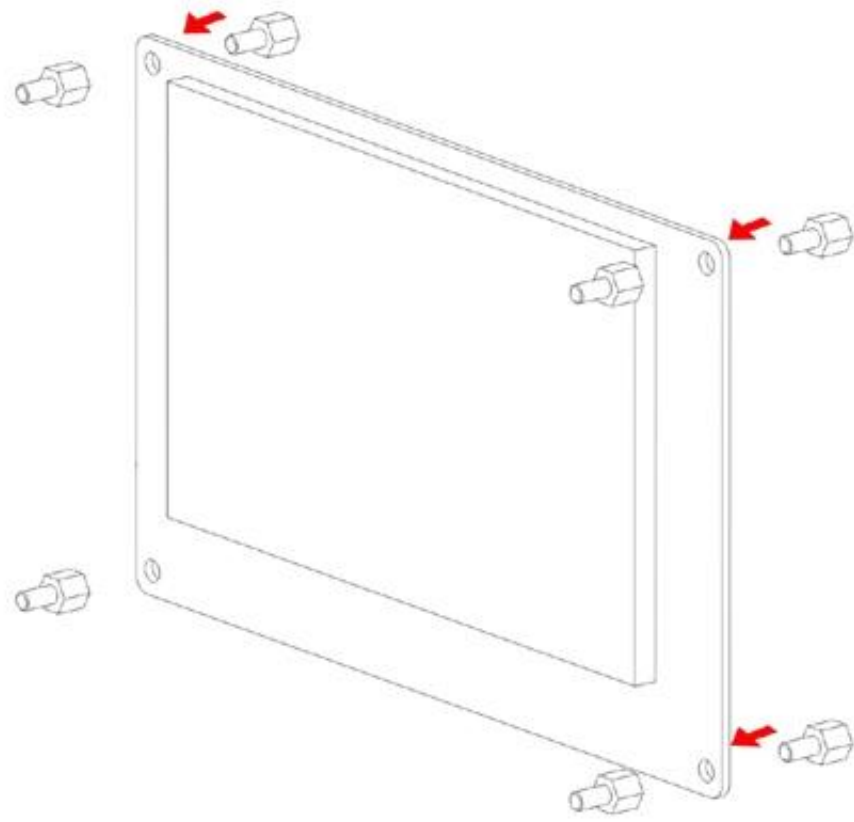
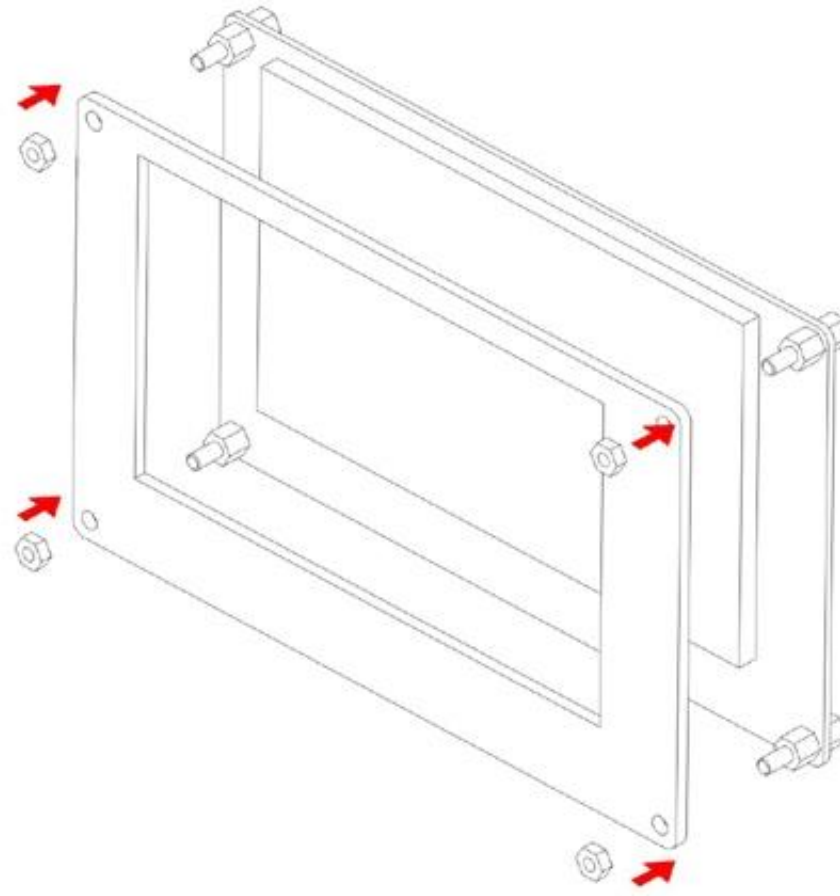


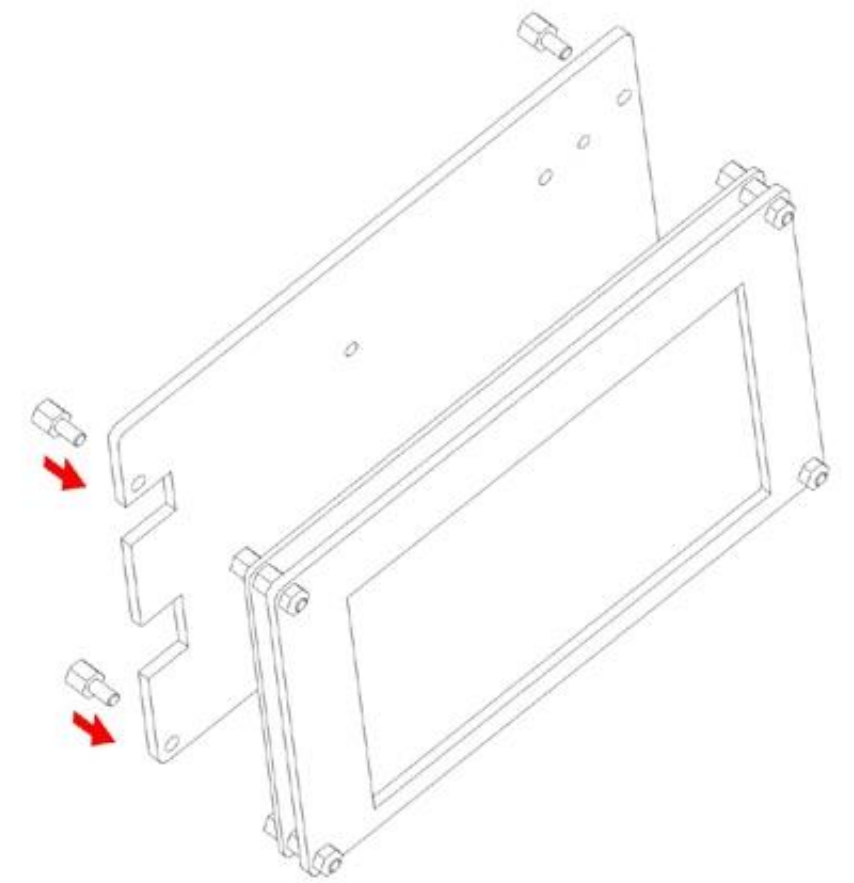
① Install the screws on the LCD



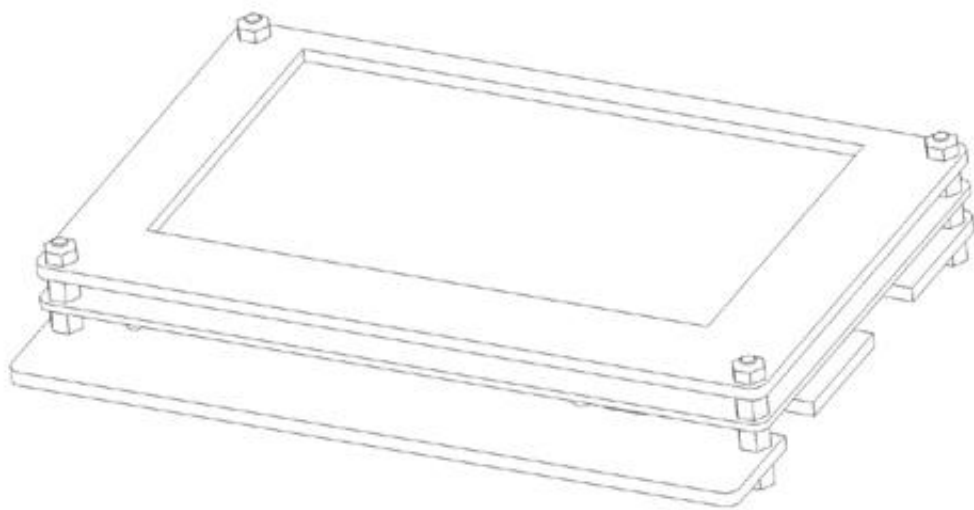
② Install the cover plate up the LCD



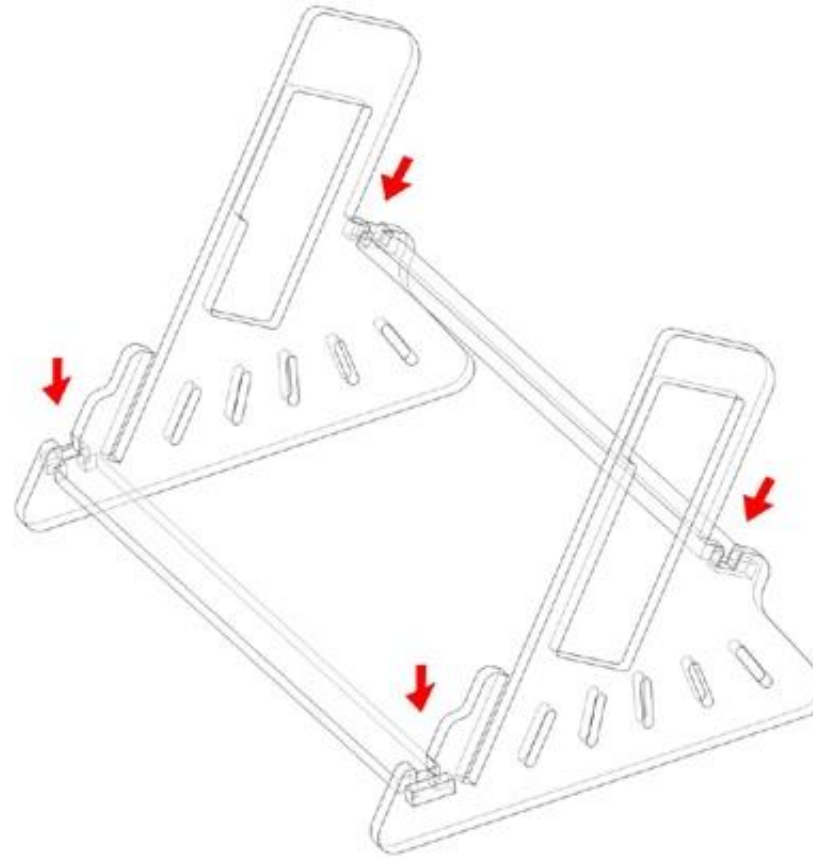
③ Install the base plate down the LCD



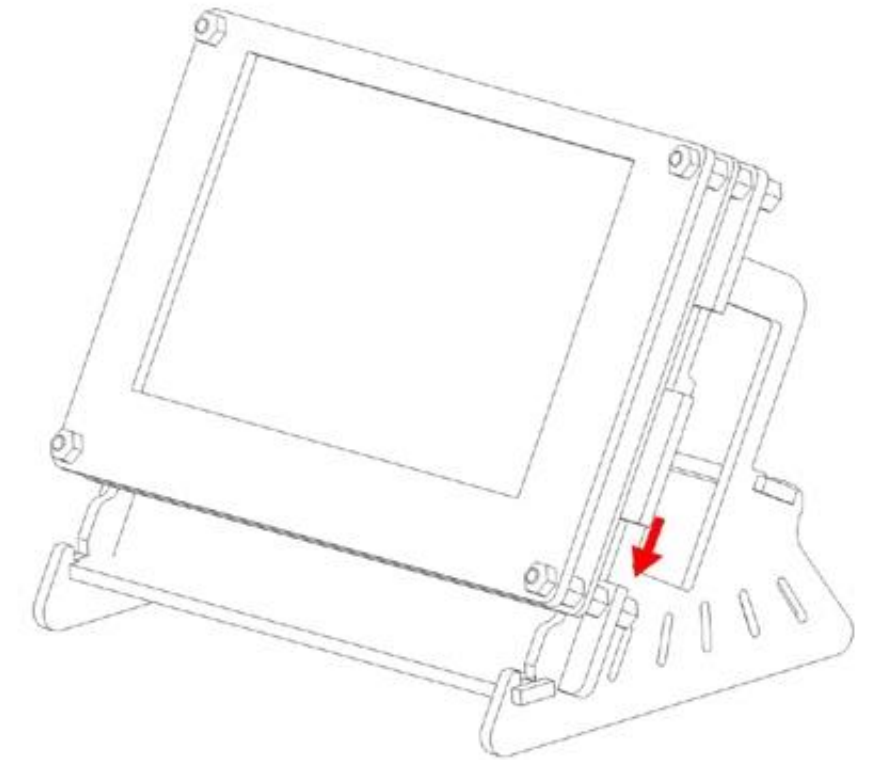
④ Complete installation of the LCD protective plate



② Install the holder of the protective plate

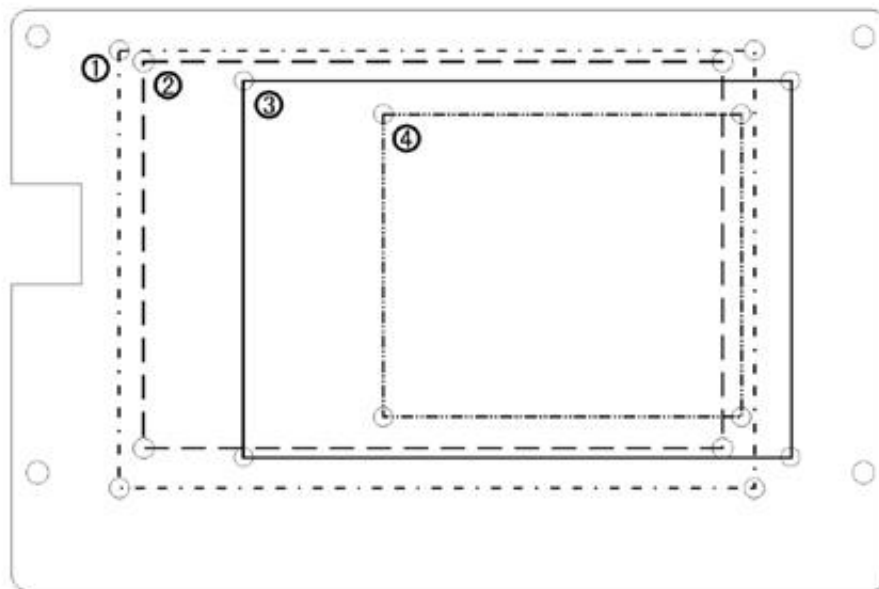


③ Finish the installation



Notes:

the base plate



- ① the install holes of the Eleduino Acrylic case for Banana pro/pi
- ③ the install holes of the Eleduino Rainbow case for Raspberry pi
- ④ the install holes of the Eleduino Mutli color case for Raspberry pi