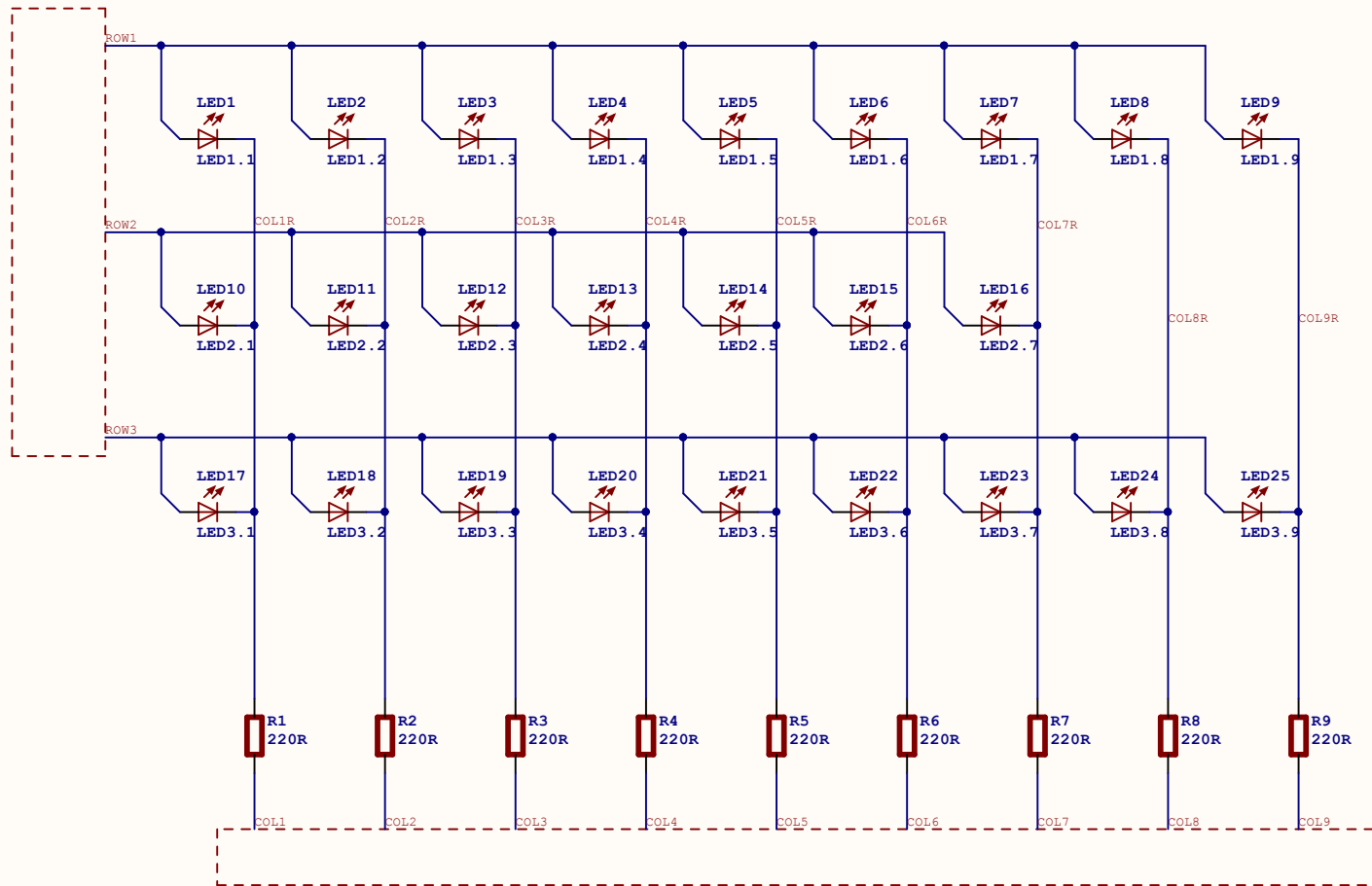


LEDs - 9 X 3



BBC micro:bit

BBC micro:bit V1.5_001

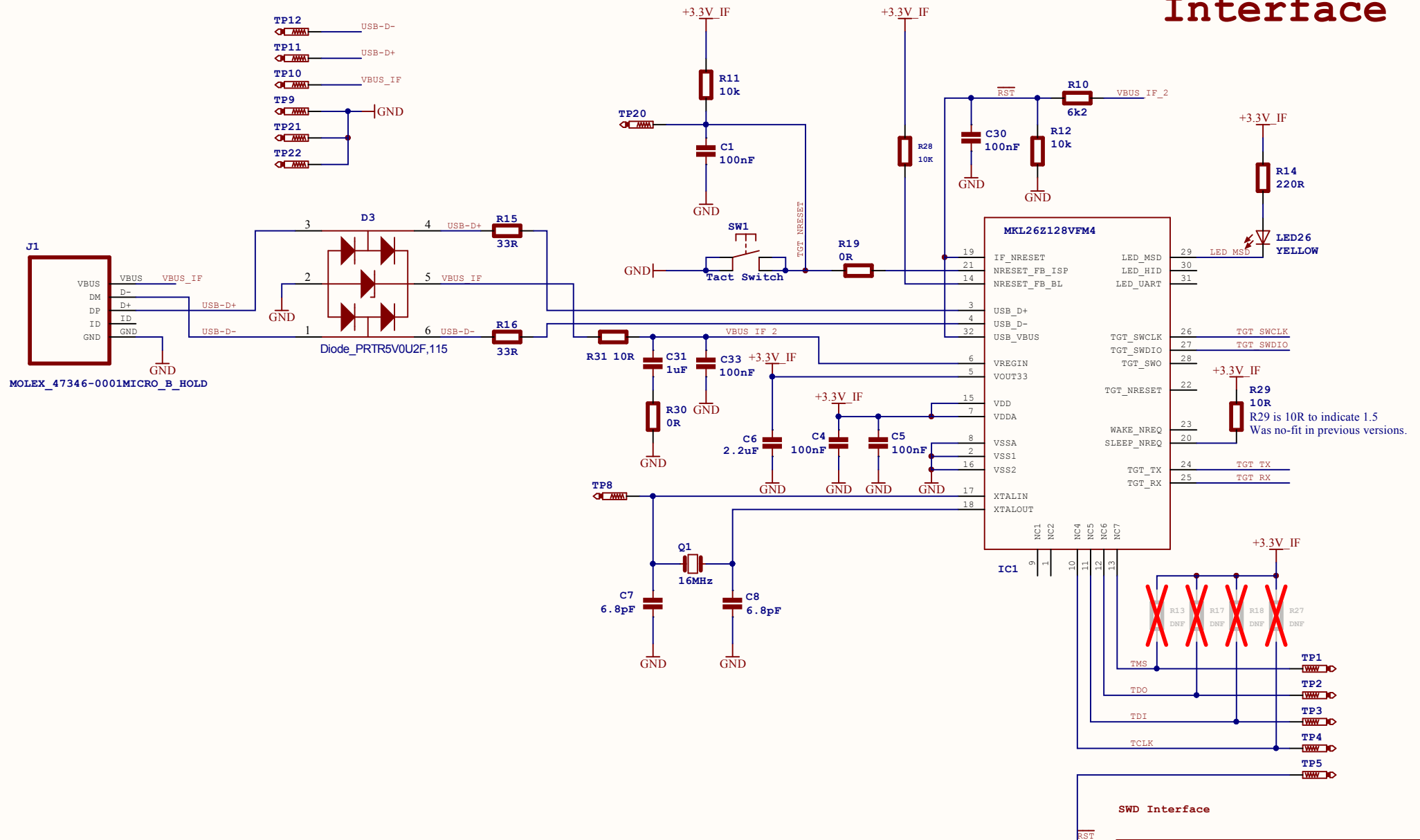
20/04/2020 22:15:00

Variant:

SHEET 1 of 7

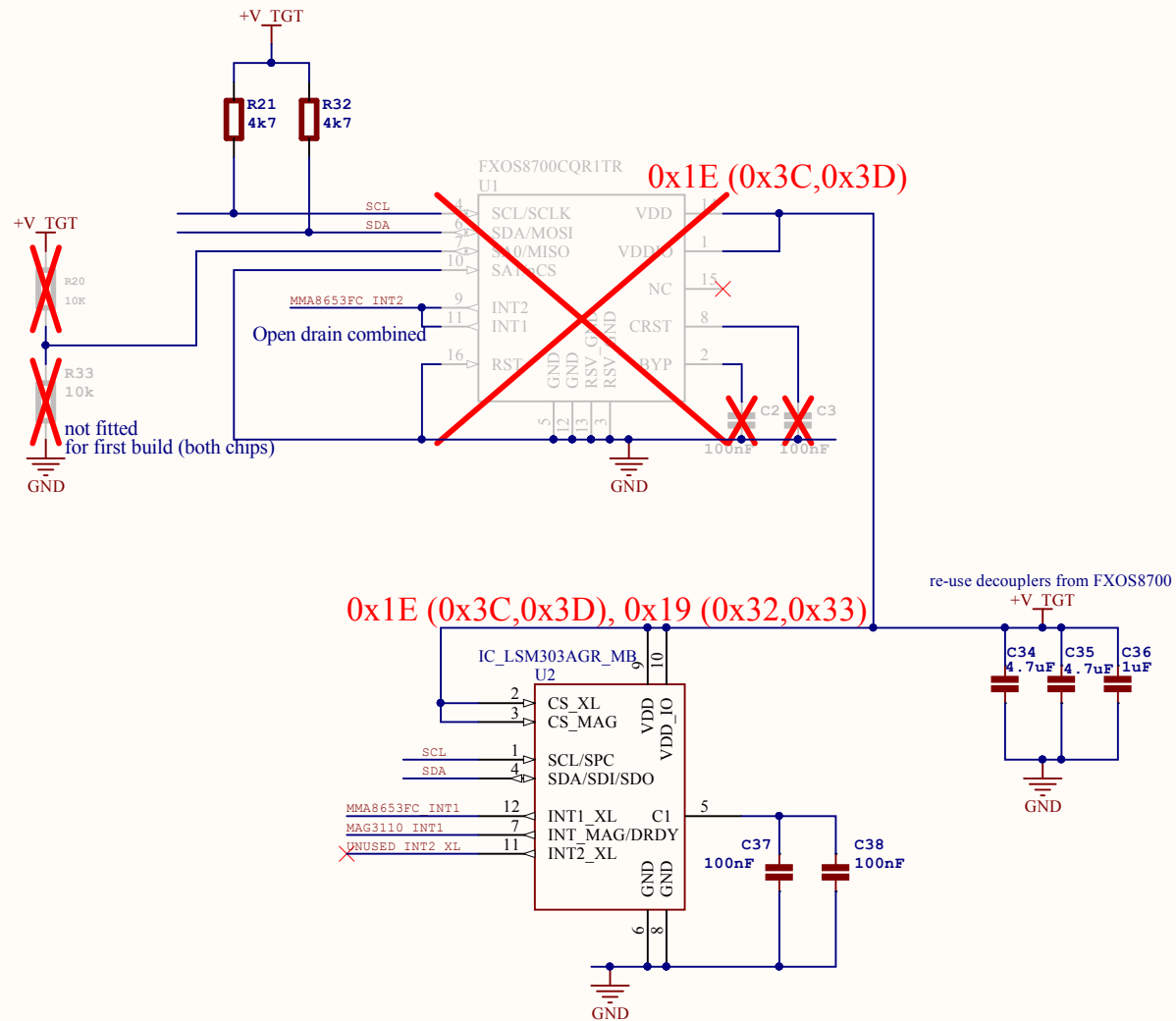
LSM303AGR_ONLY

Interface



BBC micro:bit
 BBC micro:bit V1.5_001
 20/04/2020 22:15:00
 Variant:
 SHEET 2 of 7 LSM303AGR_ONLY

Magnetometer, Accelerometer



BBC micro:bit

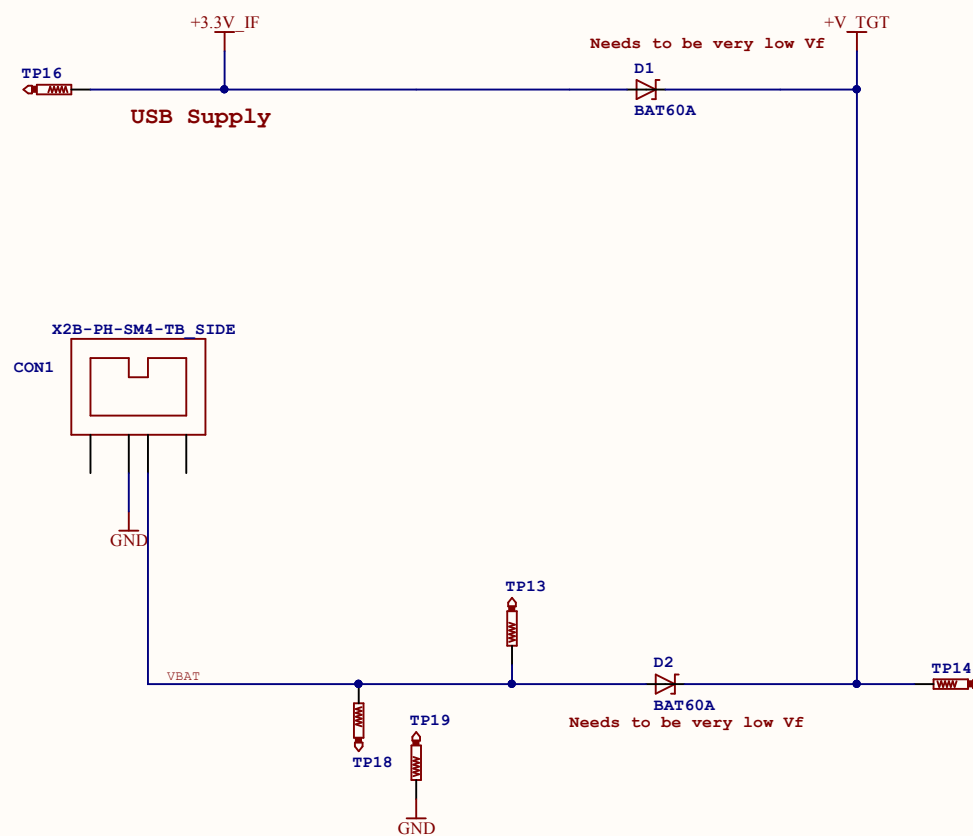
BBC micro:bit V1.5_001

20/04/2020 22:15:00

Variant:

SHEET 3 of 7 LSM303AGR_ONLY

Power Supply



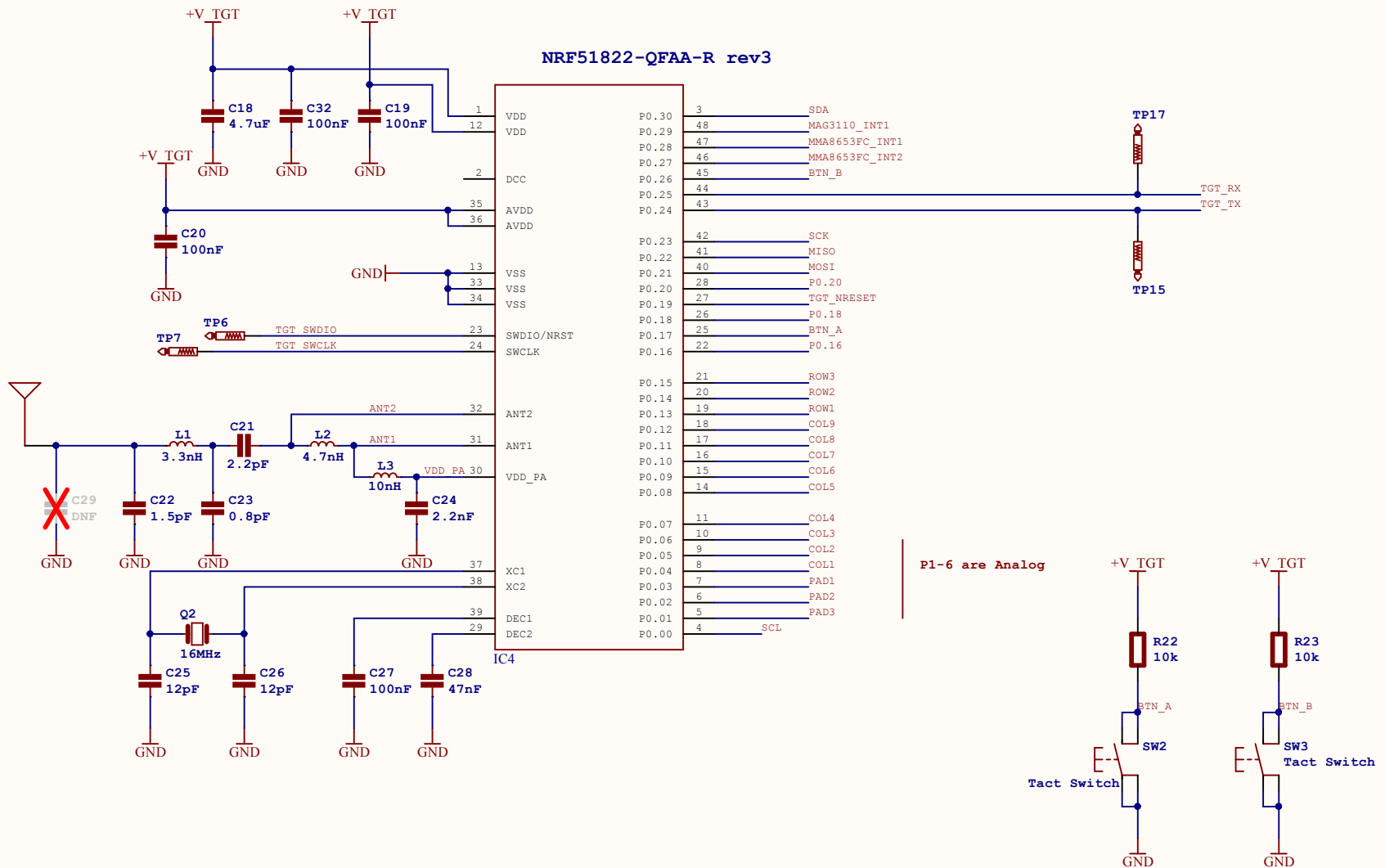
BBC micro:bit

BBC micro:bit V1.5_001

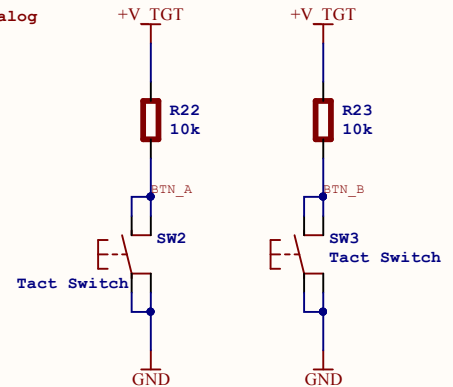
20/04/2020 22:15:01

Variant:
SHEET 4 of 7 LSM303AGR_ONLY

Nordic nRF51822



P1-6 are Analog



BBC micro:bit

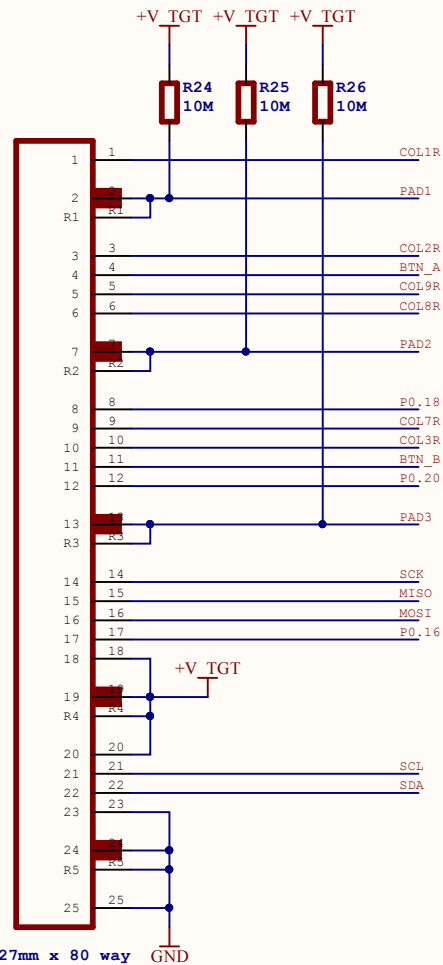
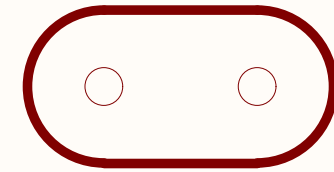
BBC micro:bit V1.5_001

20/04/2020 22:15:01

Variant: LSM303AGR_ONLY

SHEET 5 of 7

Microbit face logo



54mm X 42mm
3mm Radius Corners

BBC Logo
micro:bit logo

micro:bit features 1/2

micro:bit features 2/2

Button label (A)

Button label B

Croc clip labels

micro:bit fringe graphic

DC symbol

BBC micro:bit

BBC micro:bit V1.5_001

20/04/2020 22:15:01

Variant:
LSM303AGR_ONLY

SHEET 6 of 7

DATE	VER	PCB	CHANGES	BY	CHK
	V1.5 1.5_001	1.5 no release	Replace accelerometer / magnetometer Text tidying	SJW SJW	

BBC micro:bit

BBC micro:bit V1.5_001
 20/04/2020 22:15:01
 Variant:
 SHEET 7 of 7 LSM303AGR_ONLY