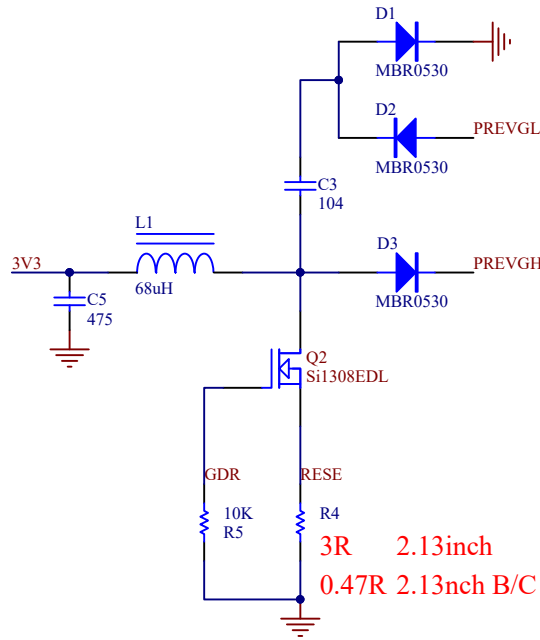
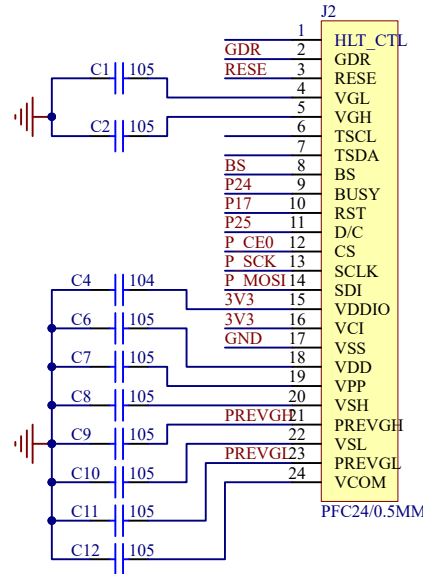


2.13inch e-Paper HAT

| | | |
|----|------------|------------|
| | VCC | GND |
| BS | 3-line SPI | 4-line SPI |

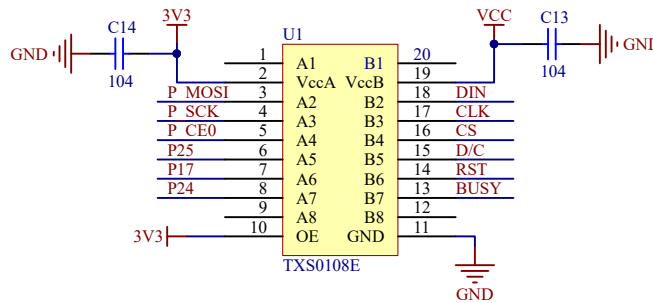
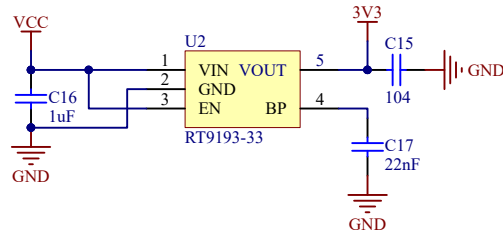


3R 2.13inch
0.47R 2.13inch B/C



| BCM | wPi | 3V3 | P2 | 5V | wPi | BCM |
|-----|-----|--------|----|-------|-----|-----|
| 2 | 8 | P SDA | 3 | 5V | | |
| 3 | 9 | P SCL | 5 | GND | | |
| 4 | 7 | P4 | 7 | P TX | 15 | 14 |
| | | GND | 9 | P RX | 16 | 15 |
| 17 | 0 | P17 | 11 | P18 | 1 | 18 |
| 27 | 2 | P27 | 13 | GND | | |
| 22 | 3 | P22 | 15 | P23 | 4 | 23 |
| | | 3V3 | 17 | P24 | 5 | 24 |
| | | P MOSI | 19 | GND | | |
| 10 | 12 | P MISO | 21 | P25 | 6 | 25 |
| 9 | 13 | P SCK | 23 | P CE0 | 10 | 8 |
| 11 | 14 | GND | 25 | P CE1 | 11 | 7 |
| | | ID SD | 27 | ID SC | | |
| | | P5 | 29 | GND | | |
| 5 | 21 | VPP | 31 | P12 | 26 | 12 |
| 6 | 22 | P6 | 33 | GND | | |
| 13 | 23 | P13 | 35 | P16 | 27 | 16 |
| 19 | 24 | P19 | 37 | P20 | 28 | 20 |
| 26 | 25 | P26 | 39 | P21 | 29 | 21 |
| | | GND | | | | |

RPI GPIO



Принципиальная схема

| | | | | Лит. | | | Масса | Масштаб |
|----------|------|-------------|-------|------|------------------------|--------|-------|---------|
| Изм. | Лист | № Докум. | Подп. | Дата | Дисплейный модуль | | | |
| Разраб. | | Дементьев И | | | E-Ink для Raspberry Pi | | | |
| Пров. | | | | | 2,13" 252x122 Ч/Б | | | |
| Т.Контр. | | | | | Лист | Листов | 1 | |
| Н.Контр. | | | | | | | | |
| Утв. | | | | | | | | |