

**High PSRR Low Dropout Voltage  
250mA CMOS LDO Regulator**

**LR6209 Series**

**INTRODUCTION**

The **LR6209 Series** are a group of positive voltage regulators manufactured by CMOS technologies with high ripple rejection, extremely low power consumption and low dropout voltage, which provide large output currents even when the difference of the input-output voltage is small. Each of the LR6209 series consists of a high-precision voltage reference, an error correction circuit, and a current limited output driver. Thus the series are very suitable for the battery-powered equipments, such as Portable/Palm computers, Portable consumer equipments, industry equipments and so on, which want to prolong the using life of the battery.

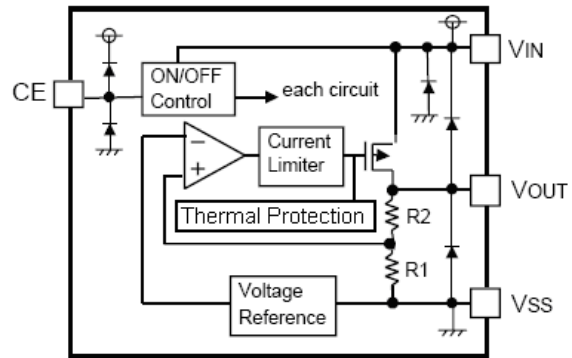
**FEATURE**

- Standby Current : Less than 0.1μA (TYP.)
- Maximum Output Current : 250mA
- Output Voltage Range : 1.4V~6.0V, (selectable in 0.1V steps)
- High Accuracy : ±2% (Typ)
- Dropout Voltage : 160mV@100mA (3.0V Typ)
- Excellent Line Regulation : 0.1%/V
- High Ripple Rejection : 60dB (1kHz)
- Built-in Current Limiter
- Built-in Thermal Protection
- Static safety: 2KV@HBM
- TC: 100ppm/°C
- Output Capacitor: Ceramic Compatible

**APPLICATION**

- Battery powered systems
- Portable instrumentations
- Reference Voltage Sources
- Radio control systems
- Portable/Palm computers
- Portable consumer equipments

**BLOCK DIAGRAM**

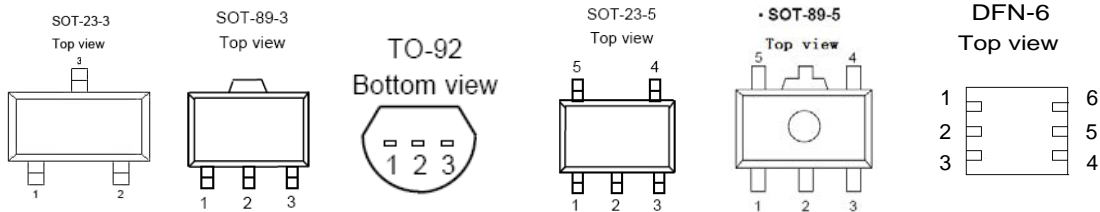


**ORDER INFORMATION**

LR6209-①.②③④

Designator	Symbol	Description
①	A	Standard
	B	With shutdown function
②③	Integer	Output Voltage (1.4v~6.0v) e.g. 3.0v=②:3,③:0
④	M	Package:SOT23,SOT23-5
	P	Package:SOT89
	T	Package:TO-92
	D	Package:DFN-6

## PIN CONFIGURATION



LR6209-A ②.③ (Pin output sequence can be ordered by customer)

PIN NUMBER							PIN NAME	FUNCTION
SOT23-3			SOT89-3		TO92			
M	MA	MC	MY	P	PT	T		
1	2	3	3	1	2	1	Vss	Ground
2	1	2	1	3	1	3	Vout	Output
3	3	1	2	2	3	2	Vin	Power input

LR6209-B ②.③ (SOT89-5L)

PIN NUMBER	PIN NAME	FUNCTION
1	Vout	Output Pin
2	Vss	Ground
3	NC	No Connection
4	CE	Chip Enable Pin
5	Vin	Power input

LR6209-B ②.③ (SOT23-5L)

PIN NUMBER		PIN NAME	FUNCTION
M	MS		
1	5	Vin	Power input
2	2	Vss	Ground
3	1	CE	Chip Enable Pin
4	3	NC	No Connection
5	4	Vout	Output Pin

LR6209-B ②.③ (DFN-6L)

PIN NUMBER	PIN NAME	FUNCTION
1	Vin	Power input
2	NC	No Connection
3	Vout	Output
4	NC	No Connection
5	GND	Ground
6	CE	Chip Enable Pin

## ABSOLUTE MAXIMUM RATINGS

PARAMETER		SYMBOL	DESCRIPTION	UNIT
Input Voltage		$V_{IN}$	10	V
Output Current		$I_{out}$	500	mA
Output Voltage		$V_{out}$	$V_{SS}-0.3\sim V_{out}+0.3$	V
Power Dissipation	SOT23	$P_d$	250	mW
	SOT89	$P_d$	500	mW
	TO92	$P_d$	500	mW
Operating Temperature		$T_{Opr}$	-40~+85	°C
Storage Temperature		$T_{stg}$	-55~+125	°C
Soldering Temperature & Time		$T_{solder}$	260°C, 10s	

## ELECTRICAL CHARACTERISTICS

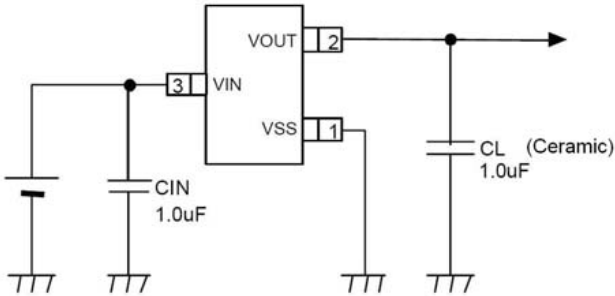
 LR6209 Series  $T_a=25^\circ\text{C}$ 

PARAMETER	SYMBOL	CONDITIONS	MIN.	TYP.	MAX.	UNITS
Output Voltage	$V_{OUT(E)}$ (Note 2)	$I_{OUT}=40\text{mA}$ $V_{IN}=V_{OUT}+1\text{V}$	$V_{OUT} * 0.98$	$V_{OUT}$	$V_{OUT} * 1.02$	V
Supply Current	$I_{SS}$	$V_{CE}=V_{IN}=V_{out}+1\text{V}$		3		$\mu\text{A}$
Standby Current	$I_{Standby}$	$V_{CE}=V_{SS}$			0.1	$\mu\text{A}$
Output Current	$I_{out}$	—			250	mA
Dropout Voltage◆ (Note 3)	$V_{dif1}$	$I_{OUT}=40\text{mA}$		80		mV
	$V_{dif2}$	$I_{OUT}=100\text{mA}$		160		mV
Load Regulation	$\Delta V_{OUT}$	$V_{IN}=V_{OUT}+1\text{V}$ , $1\text{mA}\leq I_{OUT}\leq 100\text{mA}$		10		mV
Line Regulation	$\frac{\Delta V_{OUT}}{\Delta V_{IN} * V_{OUT}}$	$I_{OUT}=40\text{mA}$ $V_{OUT}+1\text{V}\leq V_{IN}\leq 8\text{V}$		0.1		%/V
Output Voltage Temperature Characteristics	$\frac{\Delta V_{OUT}}{\Delta T * V_{OUT}}$	$I_{OUT}=40\text{mA}$ $-40\leq T\leq +85$		100		ppm
Short Current	$I_{Short}$	$V_{OUT}=V_{SS}$		100		mA
Input Voltage	$V_{IN}$	—	2.4		8	V
CE "High" Voltage	$V_{CE} "H"$		1.0		$V_{IN}$	V
CE "Low" Voltage	$V_{CE} "L"$				0.2	V

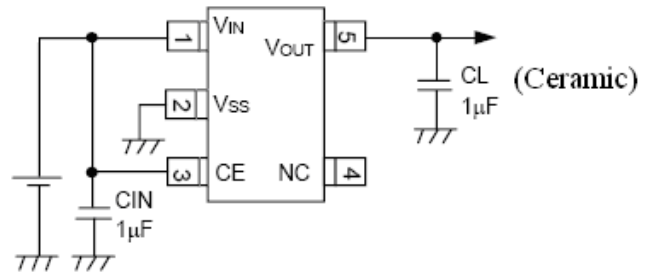
### NOTE :

- $V_{OUT}$ : Specified Output Voltage.
- $V_{OUT(E)}$  : Effective Output Voltage ( i.e. The Output Voltage When  $V_{IN} = (V_{OUT} + 1.0\text{V})$  And Maintain A Certain  $I_{OUT}$  Value).
- $V_{dif}$ : The Difference Of Output Voltage And Input Voltage When Input Voltage Is Decreased Gradually Till Output Voltage Equals To 98% Of  $V_{OUT} (E)$ .  
◆ The Dropout Voltage is fit to the products that  $2.4\text{V} < V_{out}$ . When the  $V_{out} < 2.4\text{V}$ , please ensure the input voltage more than 2.4V.

## TYPICAL APPLICATION CIRCUIT



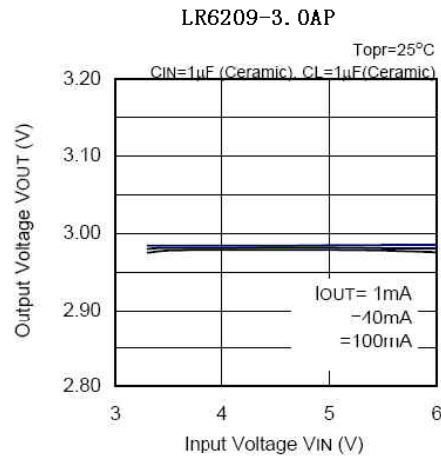
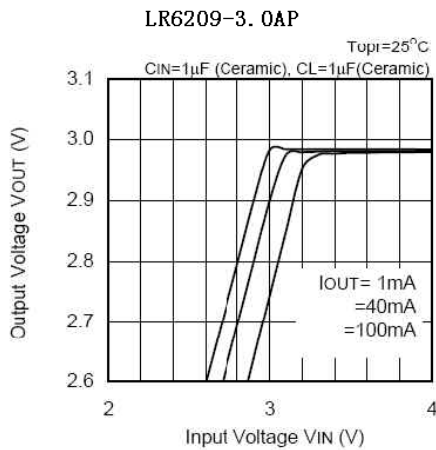
LR6209-①.②A Series



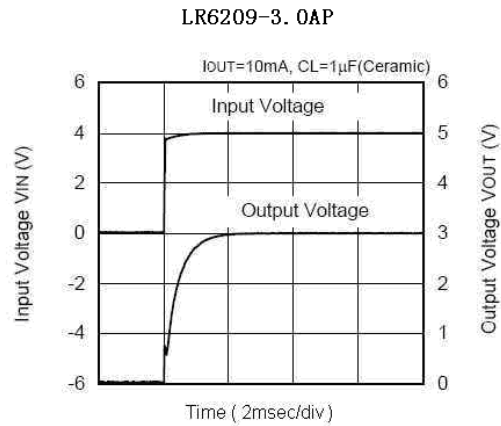
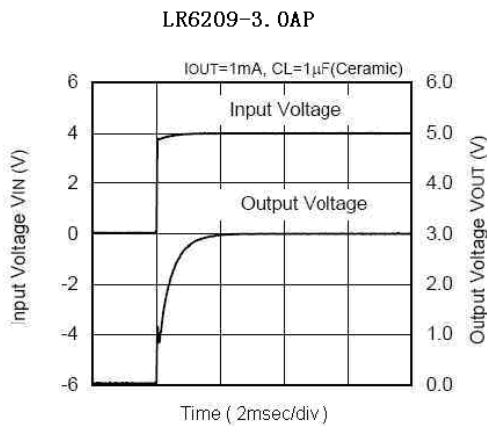
LR6209-①.②B Series

## Typical Performance Characteristics

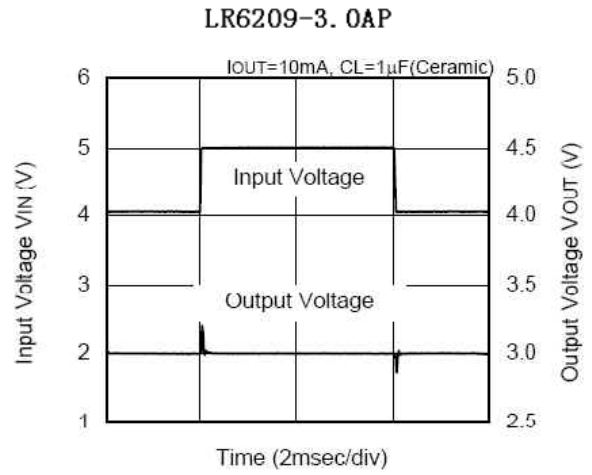
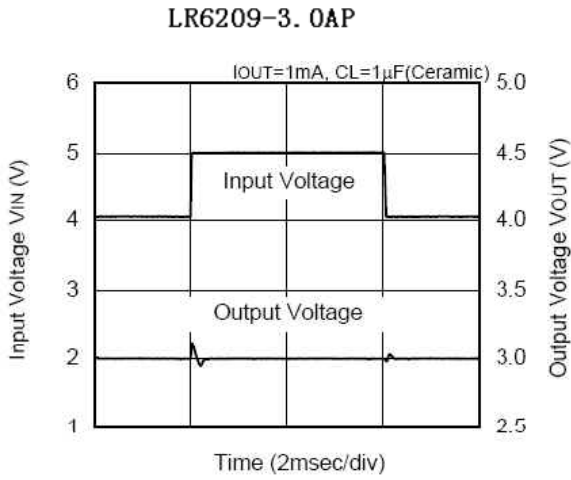
### (1) Output Voltage vs Input Voltage



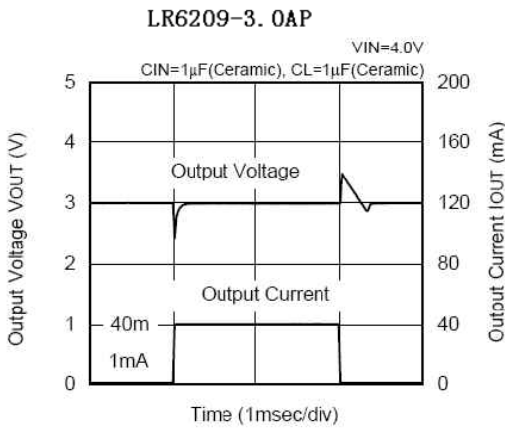
### (2) Input Transient Response 1



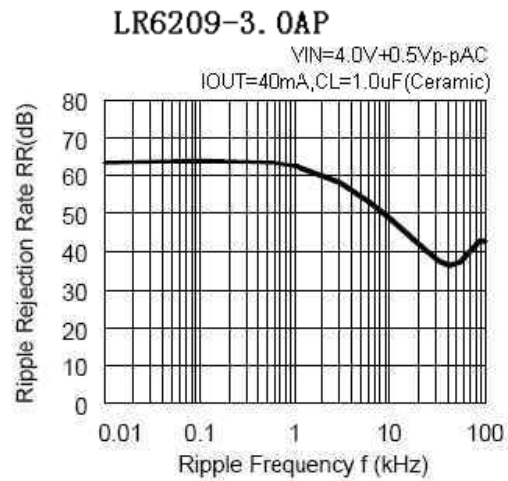
(3) Input Transient Response 2



(4) Load Transient Response

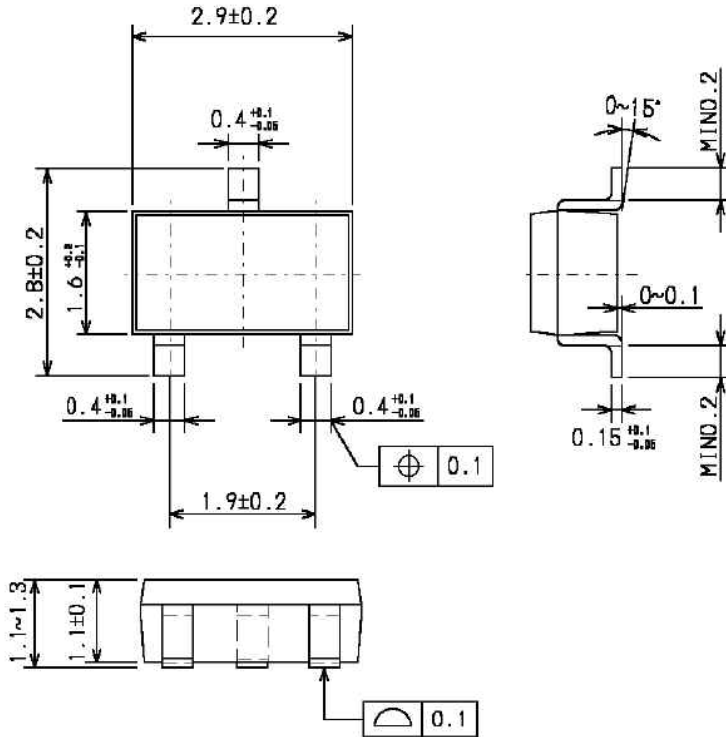


(5) Ripple Rejection Rate

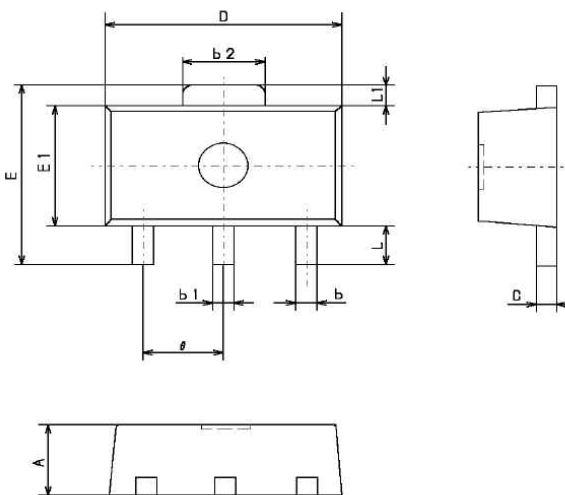


### PACKAGING INFORMATION

• SOT-23

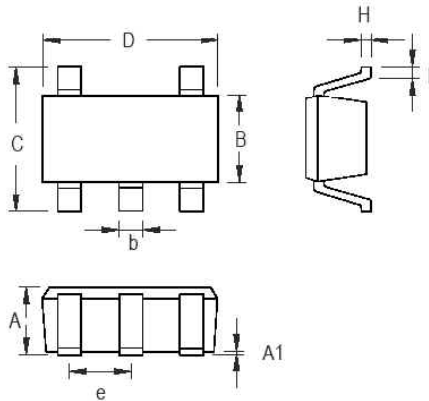


• SOT-89



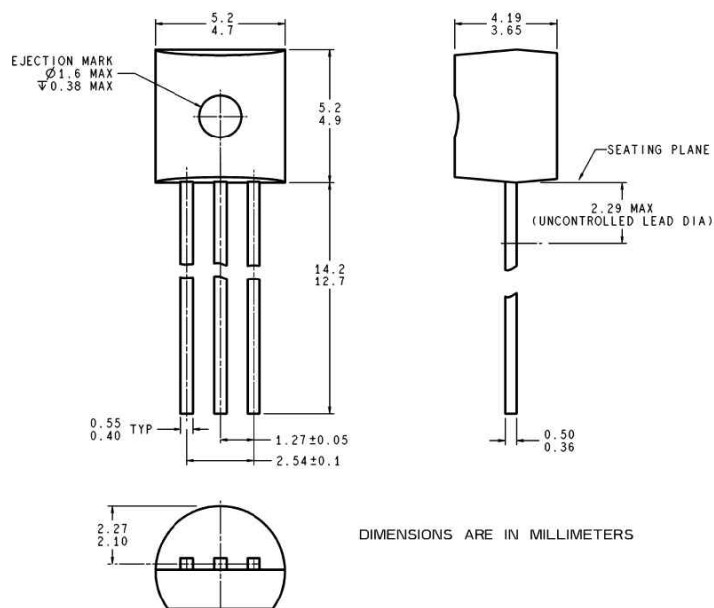
Symbols	Dimensions in millimeters		
	Min	Nom	Max
A	1.40	1.50	1.60
b	0.36	0.42	0.48
b1	0.41	0.47	0.53
b2	1.40	1.60	1.75
C	0.38	0.40	0.43
D	4.40	4.50	4.60
E	—	—	4.25
E1	2.40	2.50	2.60
$\theta$	1.40	1.50	1.60
L	1.80	—	—
L1	—	0.40	—

• SOT- 23- 5



Symbol	Dimensions In Millimeters		Dimensions In Inches	
	Min	Max	Min	Max
A	0.889	1.295	0.035	0.051
A1	0.000	0.152	0.000	0.006
B	1.397	1.803	0.055	0.071
b	0.356	0.559	0.014	0.022
C	2.591	2.997	0.102	0.118
D	2.692	3.099	0.106	0.122
e	0.838	1.041	0.033	0.041
H	0.080	0.254	0.003	0.010
L	0.300	0.610	0.012	0.024

• TO92



• SOT- 89- 5

