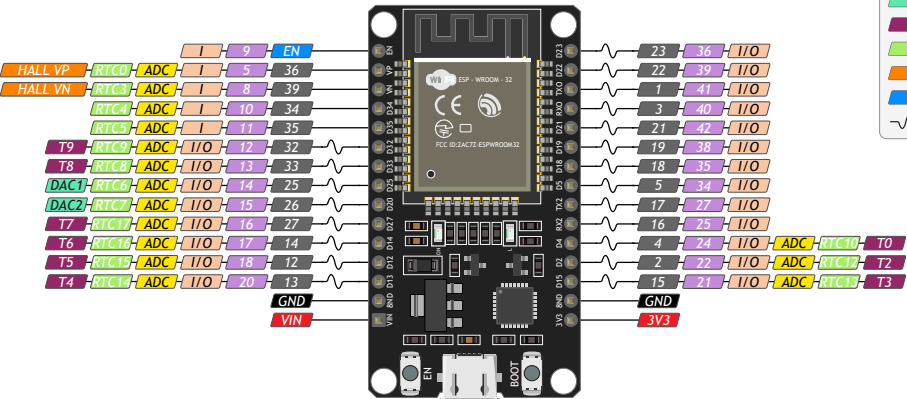


# ESP32 WROOM DEVKIT V1

# PINOUT

- Power
- GND
- GPIO pin name
- Chip pin name
- Type pin (GPIO/GPI)
- Analog input
- DAC
- Touch
- RTC GPIO
- Hall Sensor
- Chip Enable
- PWM



Interface on all GPIO pins: 3xSPI, 3xUART, 2xI<sup>2</sup>C and 2xI<sup>2</sup>S