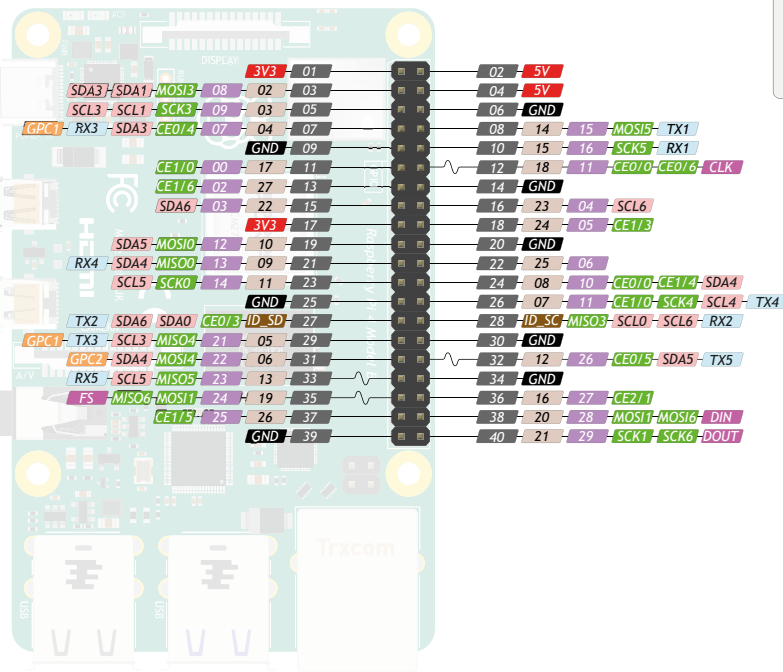


Raspberry Pi 4 Model B

PINOUT

- Power
- GND
- Physical Board pin name
- BCM / GPIO pin name
- WiringPi pin name
- SPI0
- UART
- I²C
- PCM Audio
- General Purpose Clock
- Reserve pin for EEPROM
- PWM



All pins not 5V tollerant