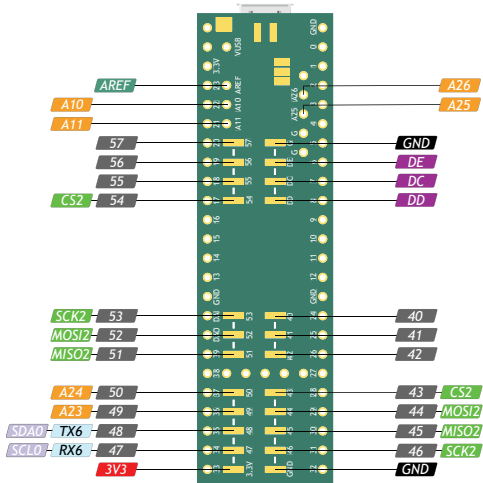
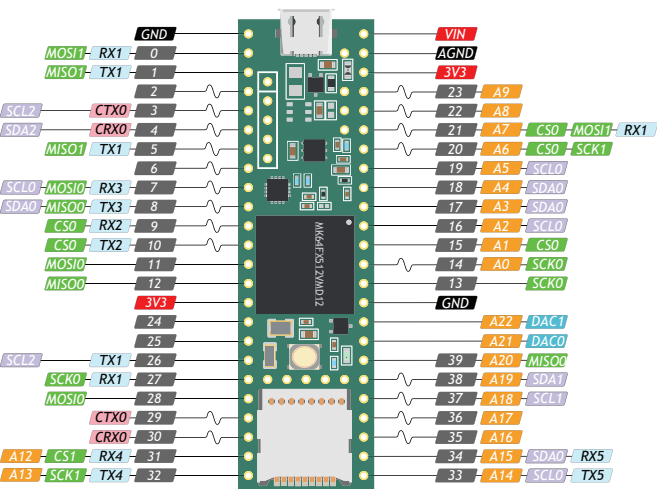


Teensy 3.5 PINOUT

	Power
	GND/AGND
	Teensy pin name
	Analog input
	SPI
	UART
	I ² C
	CAN
	Audio
	DAC
	Spec Pins
	Debug Pins
	PWM



All digital pins have interrupt capability

All digital pins tolerant to 5V