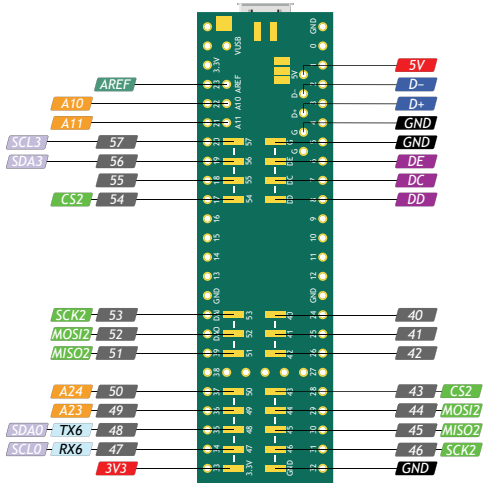
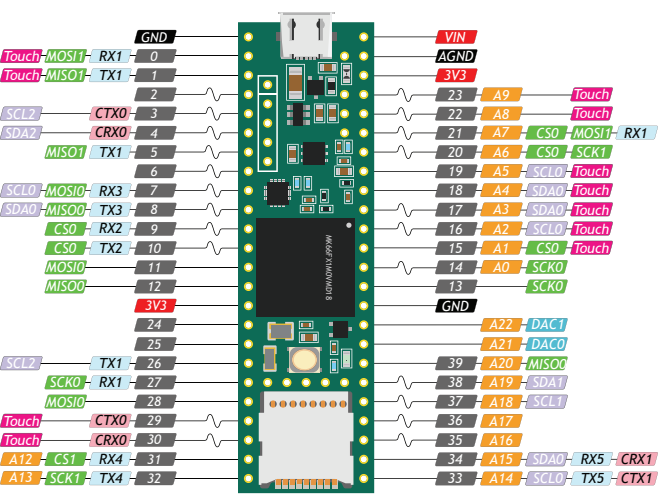


Teensy 3.6

PINOUT

- Power
- GND/AGND
- Digital Pin
- Analog input
- SPI
- UART
- I²C
- CAN
- Audio
- DAC
- Spec Pins
- Touch Pins
- USB Host Pins
- Debug Pins
- PWM



All digital pins have interrupt capability

All pins not tolerant to 5V