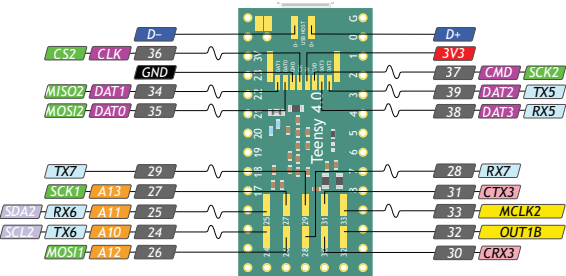
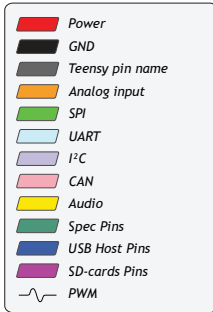
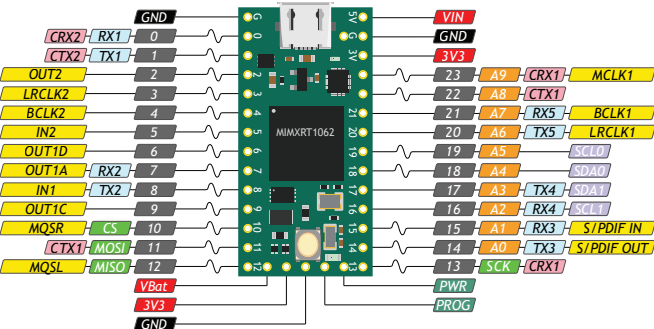


Teensy 4.0 PINOUT



⚠ All pins not 5V tollerant.

👁 All digital pins have interrupt capability.