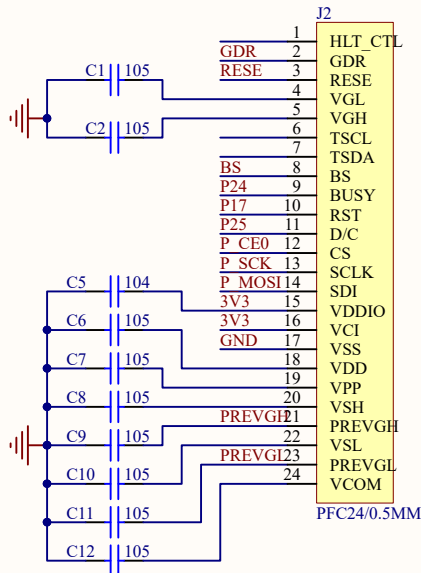
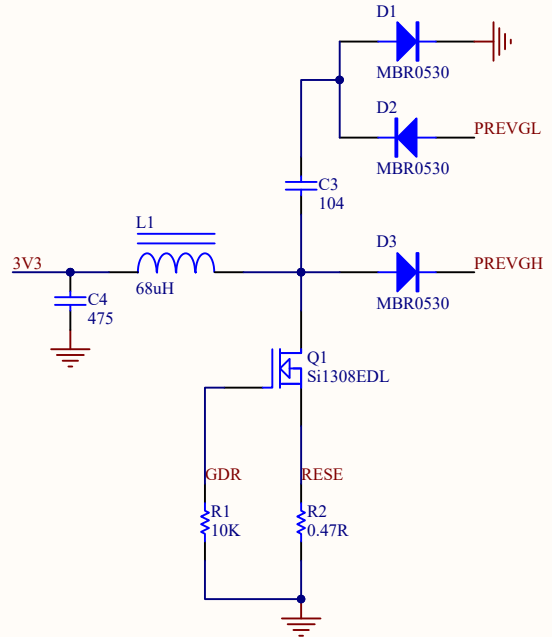


	VCC	GND
BS	3-line SPI	4-line SPI



BCM	wPi	P2	wPi	BCM
		3V3	1	5V
		P_SDA	3	5V
		P_SCL	7	GND
2	8	P4	5	P_TX
3	9	GND	9	P_RX
4	7	P17	11	P18
		GND	13	GND
17	0	P27	15	P24
27	2	P22	17	P23
22	3	3V3	19	P25
		P_MOSI	21	P25
10	12	P_MISO	23	P_CE0
9	13	P_SCK	25	P_CE1
11	14	GND	27	ID_SC
		ID_SD	29	GND
5	21	P5	31	P6
6	22	P6	33	GND
13	23	P13	35	P16
19	24	P19	37	P20
26	25	P26	39	P21
		GND		

2.7inch e-Paper HAT

