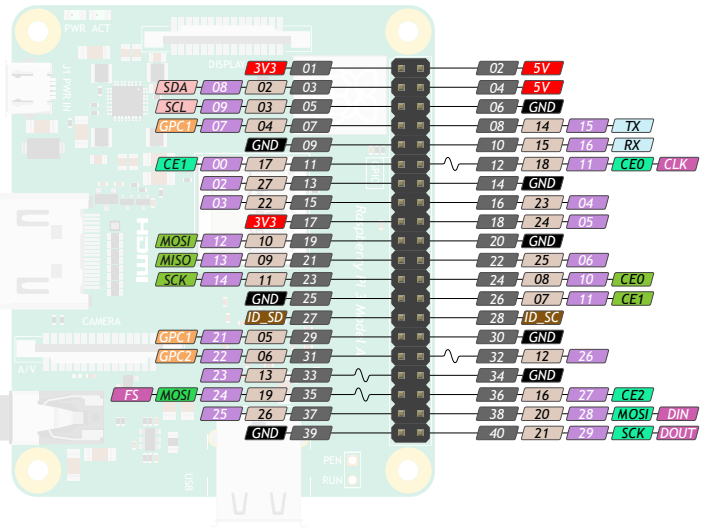


# RPi 3 Model A+

# PINOUT

- █ Power
- █ GND
- █ Physical Board pin name
- █ BCM / GPIO pin name
- █ WiringPi pin name
- █ SPI0
- █ SPI1
- █ UART0
- █ I<sup>2</sup>C1
- █ PCM Audio
- █ General Purpose CLock
- █ Reserve pin for EEPROM
- PWM



All pins not 5V tollerant