

38.0

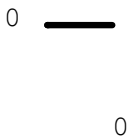
Raspberry Pi HQ Camera

Up! (Board direction for an upright image.)

Contents:

- Page 1: Cover
- Page 2: Power
- Page 3: Control

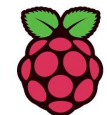
Revision History:
R1 - First release



6.81

31.19

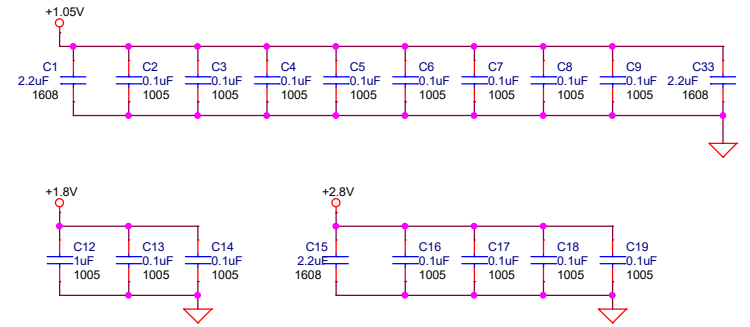
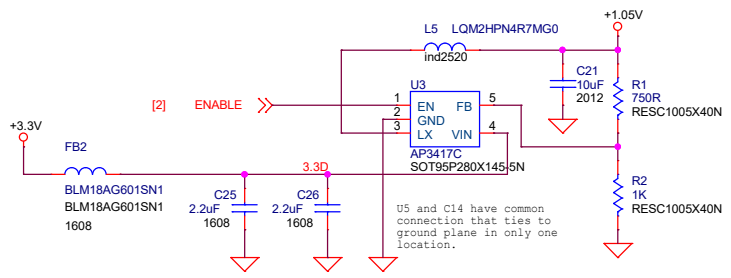
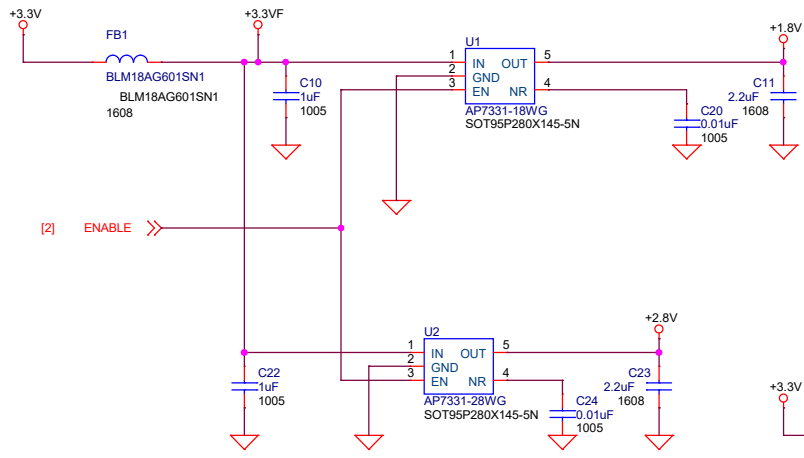
38.0

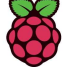


Raspberry Pi

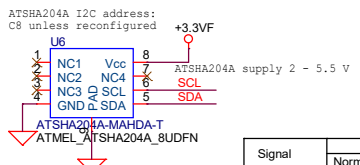
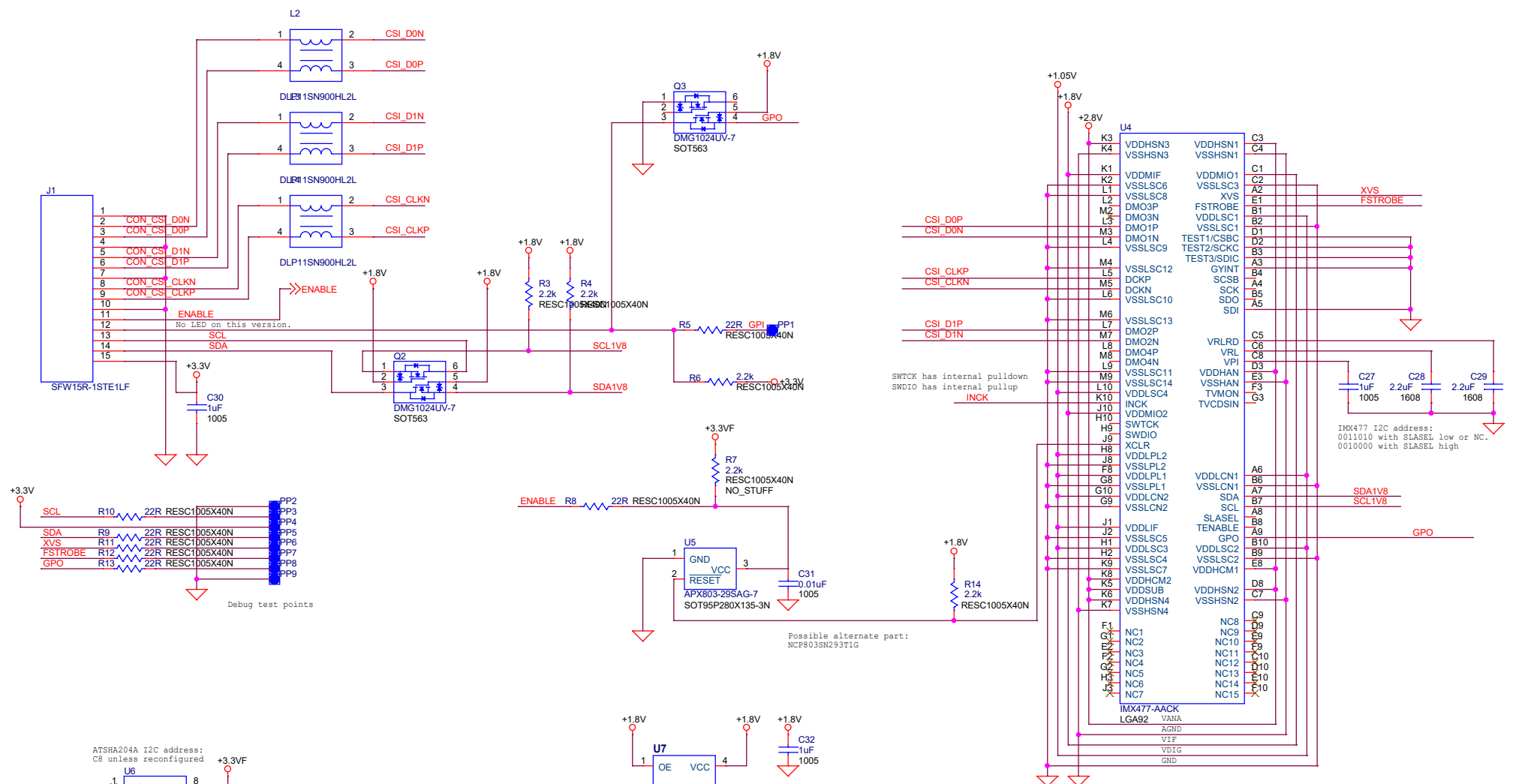
© Raspberry Pi 2017
www.raspberrypi.org

Title Raspberry Pi HQ camera board		Drawn By Simon Martin	
Size A	Ref RPI-CAMHQ_R1		Rev H1
Date: Friday, May 01, 2020		Sheet 1 of 3	

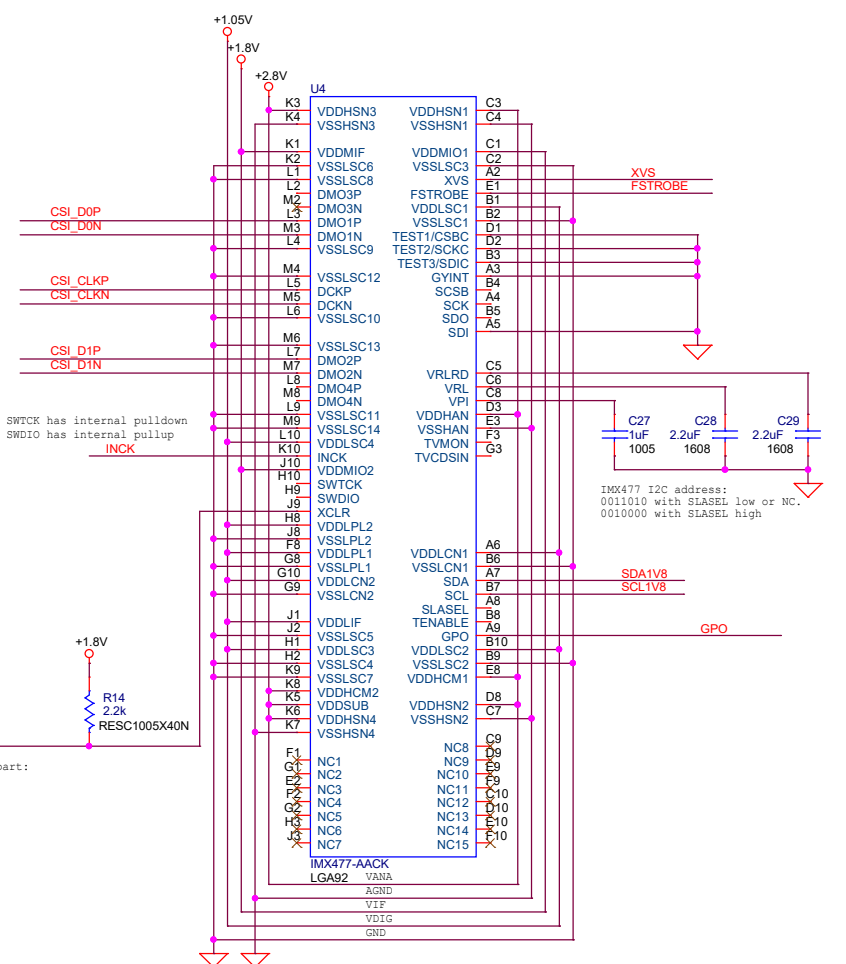



Raspberry Pi © Raspberry Pi 2017
www.raspberrypi.org

Title Raspberry Pi HQ camera board		Drawn By Simon Martin
Size B	Ref RPI-CAMHQ_R1	Rev H1
Date: Friday, May 01, 2020	Sheet 2 of 3	



Signal	Function		
	Normal	ALS mode	Logic Level
XVS	V sync output	-	+1.8 V
FSTROBE	Flash strobe output	-	+1.8 V
GPO	H sync output	ALS interrupt output	+1.8 V
SCL	I2C	I2C	+3.3 V
SDA	I2C	I2C	+3.3 V



© Raspberry Pi 2017
www.raspberrypi.org

Title Raspberry Pi HQ camera board		Drawn By Simon Martin	
Size B	Ref RPI-CAMHQ_R1	Rev V1.0	
Date: Friday, May 01, 2020	Sheet 3 of 3		